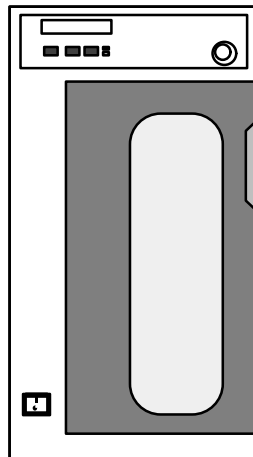




MP-8400 Series

**1/2 inch Cartridge Tape Subsystem
(with CSL model)**

User Manual



Thank You For Your Purchase.

To ensure correct operation, please read this USER MANUAL before using your purchase. After reading this manual, store it in a safe place for future reference.

Revision : 5.21

3/30/2001

-
- # All company names and brand names used in this manual are the registered trademarks, trademarks and product names of the respective companies.
 - # The contents of this manual are subject to change without notice.
 - # The contents of this manual may not be reproduced or quoted without the express written permission of this company.

Table of Contents

| | Page |
|-----------------------------------|------|
| Accessory and Contents List | ii |
| Chapter 1 GENERAL DESCRIPTION | |
| 1.1 Overview | 1 |
| 1.2 Features | 1 |
| 1.3 Model Name | 2 |
| 1.4 Specifications | 3 |
| Chapter 2 OPERATION | |
| 2.1 Inspecting the Cartridge | 9 |
| 2.2 Operator Panel | 11 |
| 2.3 Powering Up | 20 |
| 2.4 Loading a Cartridge | 27 |
| 2.5 Unloading the Cartridge | 33 |
| Chapter 3 MAINTENANCE | |
| 3.1 Cleaning the Tape Head | 35 |
| 3.2 Repairing the Leader Block | 36 |
| Chapter 4 INSTALLATION and SETUP | |
| 4.1 Installation | 37 |
| 4.2 Setup | 39 |
| 4.3 Diagnostics | 46 |
| 4.4 Hierarchic Structure of Setup | 48 |
| Chapter 5 TROUBLE SHOOTING | |
| 5.1 Error Display | 53 |
| 5.2 Countermeasures | 53 |

[Accessory and Contents List]

| | Accessory and Contents | Quantity | Comments |
|---|------------------------|----------|-------------------|
| 1 | User Manual | 1 | |
| 2 | Power Cable | 1 | |
| 3 | SCSI Cable | | Option |
| 4 | SCSI Terminator | 1 | |
| 5 | Clamp Filter | 2 | |
| 6 | Cartridge | 1 | for test purposes |
| 7 | Cleaning Cartridge | 1 | |
| 8 | Key | (2) | Option |

Chapter 1 GENERAL DESCRIPTION

1.1 Overview

The MS-8418 is a 18 track, 1/2 inch cartridge tape drive that is fully compatible with the IBM 3480/3490. The MS-843x is a 36 track drive fully compatible with the IBM 3490E.

Both drives are equipped with the industry standard SCSI interface, which enables simple connection to computers. In addition, both drives support IDRC, the industry standard for data compression. Average of 600MB of data can be stored onto a cartridge with the MS-8418 and average of 2.4GB can be stored with the MS-843x using the extended cartridge (332m tape).

This device is a Cartridge Stack Loader(CSL) that can store up to 10 cartridges for continuous automatic loading.

1.2 Features

These tape drives have the following features (the features differ depending on the specifications).

High-speed Backup

Continuous data transfers are possible at a speed of 3MB/sec., even without the use of compression. Maximum burst transfer speed is 20MB/sec.

Large-volume Backup

An average of 24GB of data can be stored per 10 cartridges when IDRC compression is used.

Compatibility

The drives are compatible with IBM 3480/90/90E, thus facilitating the exchange of data with host computers.

Easy Connection

The SCSI-2/3 interface is used for easy connection to work stations, personal computers and other types of computers.

Expandability

The drive firmware is stored in the flash ROM; to improve the functions, firmware updates are also possible from tape. The 18-track specifications can be changed to 36-track specifications and the SCSI-2 specifications can be changed to SCSI-3, etc.

10 cartridges Magazine

Up to 10 cartridges can be loaded into the removable magazine. Separate magazines can be used for different applications and for portability.

1.3 Model Name

1.3.1 Model Names by Track Specification

| | | | |
|------------------------------------|----------------|-------------------|----------------|
| Track Specifications Tape Speed | MS-8418 | MS-843x | |
| | 18 track Drive | 18/36 track Drive | 36 track Drive |
| Standard Speed | MS-8418 | MS-843E | MS-8436 |

1.3.2 Model Names by SCSI Specification

| Model Name | | SCSI Connector Specifications | SCSI Electrical Specifications |
|--------------------|----|-------------------------------|--------------------------------|
| MS-8418 MS-843x | LS | Low-density 50pin (Amphenol) | Single-ended |
| | WS | Hi-density 68pin (Wide SCSI) | |
| | WD | Hi-density 68pin (Wide SCSI) | Differential |

1.3.3 Model Names by Door Specification

| Model Name | | Door Specification |
|------------|----|-------------------------------|
| MS-8418##- | DA | no door lock |
| MS-843x##- | DL | door lock included (with key) |

Marks : “##” as the model names by SCSI specification.

1.4 Specifications

1.4.1 Performance Specifications

| Number | Parameter | | MS-8418 | MS-843x |
|--------|--|--------------|---|----------|
| 1 | Tape Speed | Read / Write | 2 m/s (79 ips) | |
| | | Rewind | 4 m/s (157 ips) | |
| | Speed Variation | | 4 % (Long Term) 7 % (Short Term) | |
| | Access Time (Standard) | Read / Write | 100 ms | |
| Rewind | | 200 ms | | |
| 2 | Load Time (average) | | 45 sec | |
| | Unload Time (average) | | 35 sec | |
| | Rewind Time (max.) | | 45 sec | 90 sec |
| | | | 3 sec (from EOT) | |
| 3 | Read / Write Head | | 18 track | 36 track |
| 4 | Interface (1) | | Fast SCSI - 2 (A Cable) SCSI - 3 (P Cable) (Single-ended or Differential) | |
| 5 | Burst Transfer Rate (SCSI asynchronous) | | 5 MB/s (Narrow:8 bit) 10 MB/s (Wide:16 bit) | |
| | Burst Transfer Rate (SCSI synchronous) | | 10 MB/s (Narrow:8 bit) 20 MB/s (Wide:16 bit) | |
| | Data Transfer Rate (tape head) | | 3 MB/s | |
| 6 | Block Size (max.) | | 256 kB | |
| 7 | Data Buffer Size | | 2 MB | |
| 8 | Cartridge Loader | | 10 cartridges in the Removal Magazine | |

(1) Equipped with one type of interface per your specification. Refer to section 1.3.2.

1.4.2 Read/Write Operation

| Number | Parameter | MS-8418 | MS-843x | |
|--------|-----------------|-----------------|-------------------------------|-----------------|
| | | 18 track Drive | 18/36 track Drive | 36 track Drive |
| 1 | Write Operation | 18-track Format | 18-track Format (2) | 36-track Format |
| | | | 36-track Format | |
| 2 | Read Operation | 18-track Format | 18-track Format | |
| | | | 36-track Format | |

(2) The 18-track write operation is IBM compatible but does not conform to ANSI. Use caution when exchanging data with the drives of other companies.

1.4.3 Format Specifications

| Number | Parameter | | 18-track Format | 36-track Format |
|--------|-----------------------------|--------------|--|--|
| 1 | Recording Format | Uncompressed | IBM 3480 Compatible (ANSI X3B5) | IBM 3490E Compatible (ANSI X3B5) |
| | | Compressed | IBM 3490 Compatible (ANSI X3B5) | IBM 3490E Compatible (ANSI X3B5) |
| | Compression Mode | | IBM IDRC Compaction Compatible (Improved Data Recording Capability) | |
| | Error Correction | | Cross Parity | Reed Solomon |
| 2 | Record Density | | 1491 cpmm (37871 bpi) | |
| 3 | Medium Length | | 165 m (541 ft.) | 165 m (541 ft.) 332 m (1100 ft.) |
| 4 | Capacity : 1 cartridge | Uncompressed | 200 MB (max.) | 800 MB (max.) |
| | | Compressed | 600 MB (3:1) | 2.4 GB (3:1) |
| | Capacity : 10 cartridges | Uncompressed | 2 GB (max.) | 8 GB (max.) |
| | | Compressed | 6 GB (3:1) | 24 GB (3:1) |

1.4.4 Reliability Specifications

| Number | Parameter | Specification |
|--------|-----------|------------------------------|
| 1 | MTBF | 30000 hours (25% duty cycle) |
| 2 | MTTR | Under 30 minutes |
| 3 | Head Life | 3000 hours (Tape motion) |

1.4.5 Power Specifications

| Number | Parameter | Specification |
|--------|-------------------|--|
| 1 | Voltage | 100 to 120 V, AC 220 to 240 V, AC (Automatic ranging) |
| 2 | Line Frequency | 50/60 Hz |
| 3 | Power Consumption | 110 W |

1.4.6 Environmental Specifications

| Number | Parameter | Specification | |
|--------|---------------|----------------------|-----------------------------|
| 1 | Operating | Dry Bulb Temperature | 10°C to 40°C |
| | | Temperature Gradient | 10°C / hour |
| | | Wet Bulb Temperature | Max. 26°C |
| 2 | Operating | Relative Humidity | 20% to 80% (non-condensing) |
| | | Humidity Gradient | 20% / hour |
| 3 | Non-operating | Dry Bulb Temperature | -10°C to 60°C |
| | | Temperature Gradient | 10°C / hour |
| 4 | Non-operating | Relative Humidity | 5% to 95% (non-condensing) |
| | | Humidity Gradient | 20% / hour |

NOTE

The applicable proposed ANSI specification for half-inch tape cartridge requires operation in the range of 16°C to 32°C, 20% relative humidity and a maximum wet bulb temperature of 25.6°C. Operation of this device beyond these limits may result in a degradation of media reliability.

1.4.7 Acoustical Noise

| Number | Parameter | Specification |
|--------|---------------|----------------|
| 1 | Power-on Idle | 50 dB A (max.) |
| 2 | Operating | 55 dB A (max.) |
| 3 | Load / Unload | 70 dB A (max.) |

Machine Noise

Sound power level : less than 70 db (A) according to DIN45635 part 19 (EN27779).

Maschinengeräusche

Geräuschpegel : weniger als 70 db (A) entsprechend DIN45635 Teil 19 (EN27779).

1.4.8 Mechanical Specifications

| Number | Parameter | Specification | |
|--------|-----------------|----------------|-------------------|
| 1 | Dimensions | Height | 429 mm (16.9 in.) |
| | | Width | 227 mm (8.9 in.) |
| | | Depth | 649 mm (25.6 in.) |
| 2 | Weight | 29 kg (64 lb.) | |
| 3 | Shipping Weight | 36 kg (79 lb.) | |

1.4.9 Regulation

FCC Notice

This equipment has been tested and found to comply with the limits for a Class A digital device, pursuant to Part 15 of the FCC rules.

These limits are designed to provide reasonable protection against harmful interference when the equipment is operated in a commercial environment. This equipment generates, uses and can radiate radio frequency energy and, if not installed and used in accordance with the instruction manual, may cause harmful interference to radio communications. Operation of this equipment in a residential area is likely to cause harmful interference in which case the user will be required to correct the interference at his own expense.

[Notes]

Chapter 2 OPERATION

2.1 Inspecting the Cartridge

The MS-8400 drive uses the industry-standard 3480-tape cartridge defined by ANSI Standard X3B5. Refer to Figure 2-1.

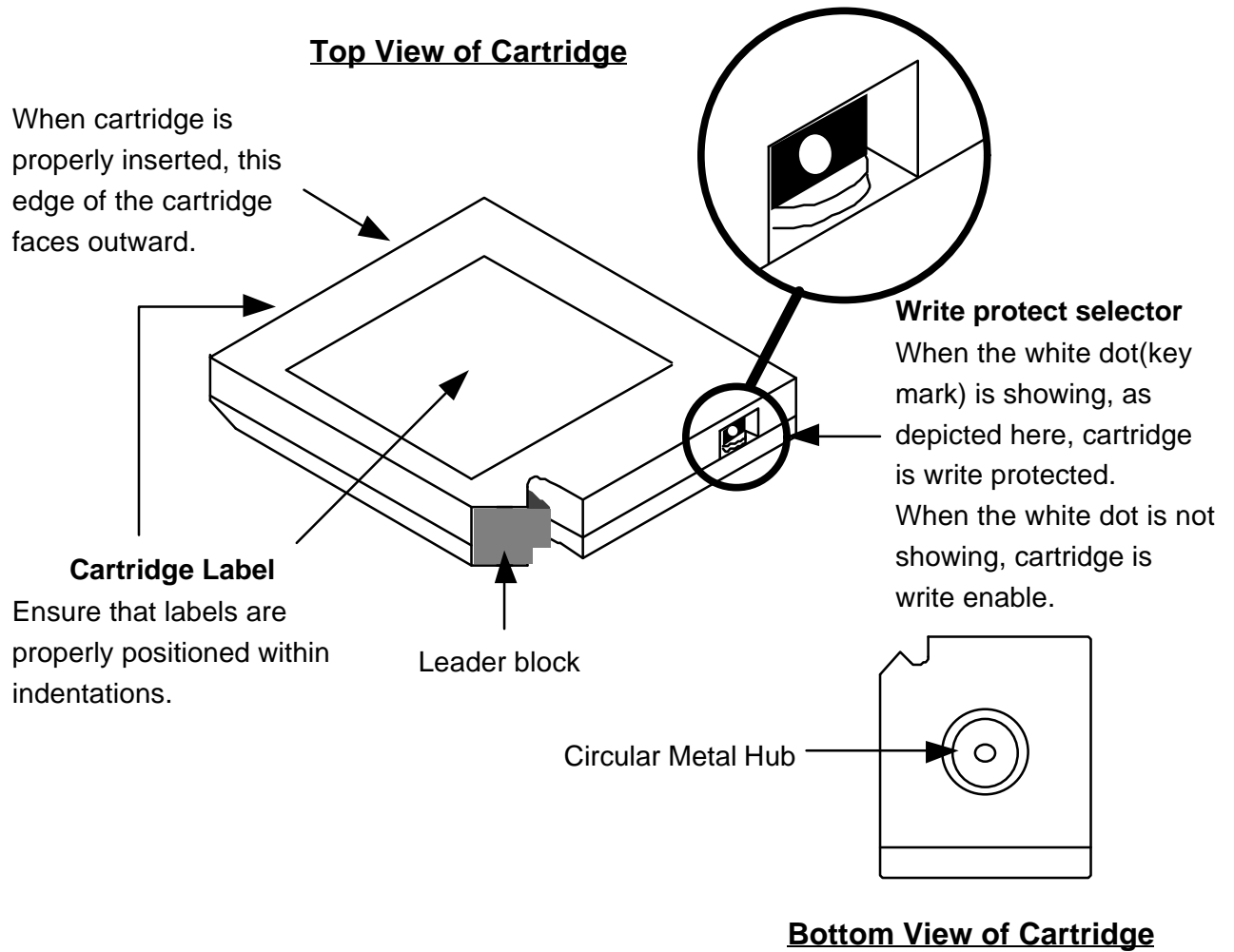


Figure 2-1 Half-inch Tape Cartridge

Prior to inserting the tape cartridge into the drive, inspect the cartridge for damage to prevent problems. A defective cartridge may prohibit successful loading of the cartridge or may damage the drive mechanism. Look for these defects:

- cracked or broken cartridge casing
- water or dirt on cartridge casing
- foreign material or obvious loose parts within the cartridge
- broken leader block or leader block not properly attached
- damaged write protect selector
- any other obvious damage
- cartridge label not properly affixed
- cartridge with other materials affixed rather than the label

The tape length that can be used differs depending on the specifications and operation. Table 2-1 shows the tape cartridges that can be used with this drive.

Table 2-1 Tape Length

| Operation | Cartridge Name | Tape Length | Format Specification | |
|-----------|------------------|----------------|----------------------|-----------------|
| | | | 18-track Format | 36-track Format |
| Write | 3480 (Standard) | 165m (541ft.) | Recommended | OK |
| | Long (x1.5) | 246m (807ft.) | OK | OK |
| | 3490E (Extended) | 332m (1100ft.) | NG | Recommended |
| Read | 3480 (Standard) | 165m (541ft.) | Recommended | OK |
| | Long (x1.5) | 246m (807ft.) | OK | OK |
| | 3490E (Extended) | 332m (1100ft.) | OK | Recommended |

CAUTION

The drive cannot load the cartridge if the contained tape is of insufficient length.

2.2 Operator Panel

2.2.1 Front View

The operator panel and power switch are located on the front panel. The operator panel is equipped with a 16-digit:2-line display, 3 switches and 2 indicators. These are used to operate the drive. Refer to Figure 2-2 and 2-3.

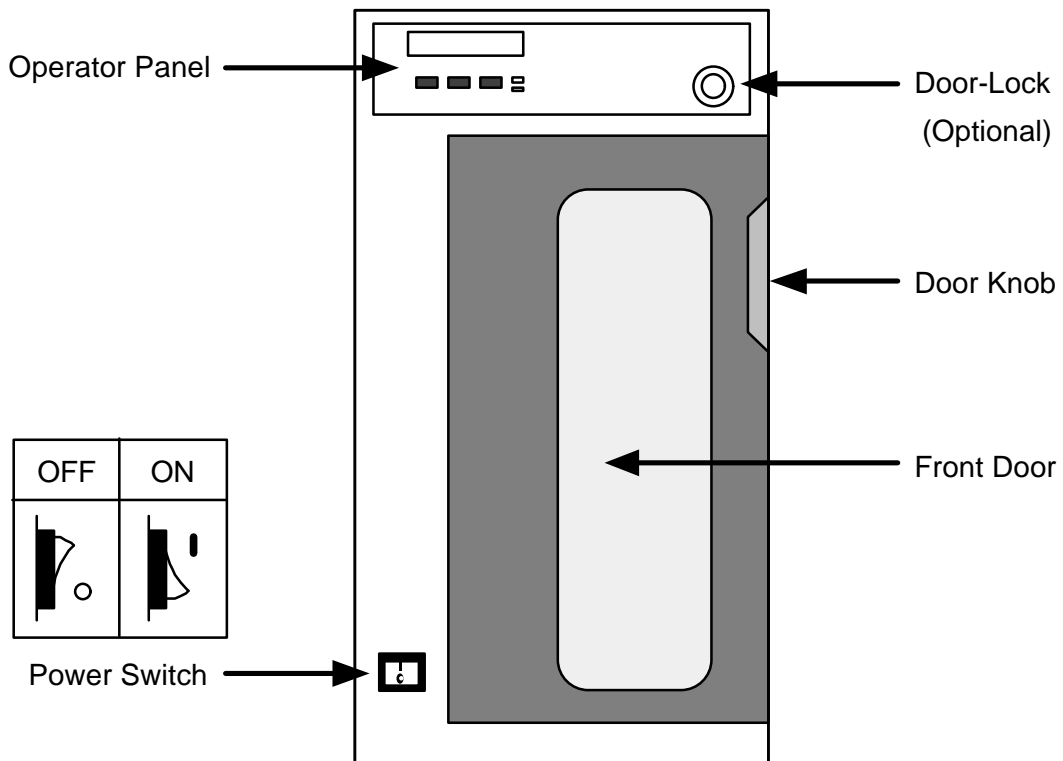


Figure 2-2 Front View of the Drive

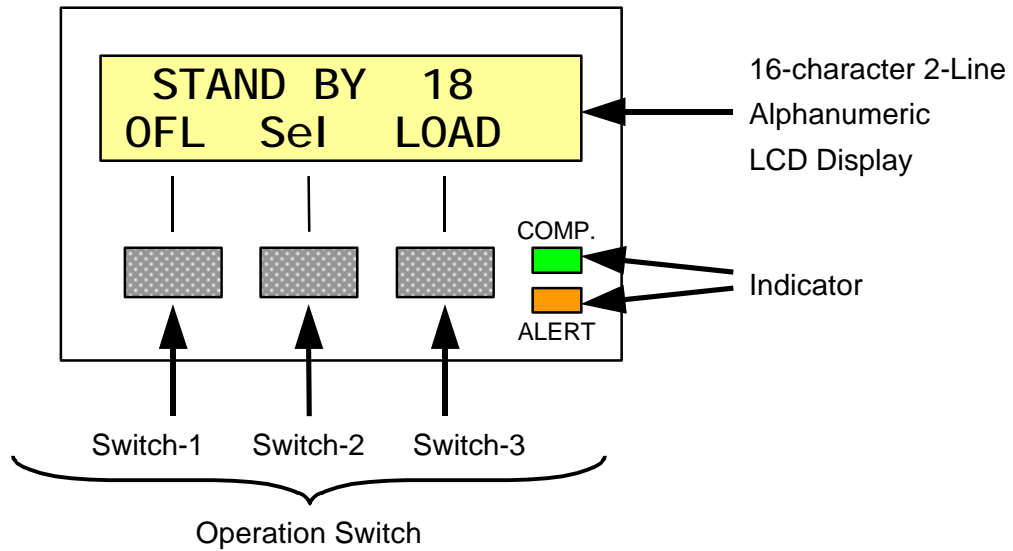


Figure 2-3 Operator Panel

2.2.2 Rear View

The SCSI connectors, maintenance port and AC power connector are located on the rear panel (Refer to Figure 2-4). The two SCSI connectors can be used for either input or output. The maintenance port is used only for troubleshooting and should not be connected during normal operation.

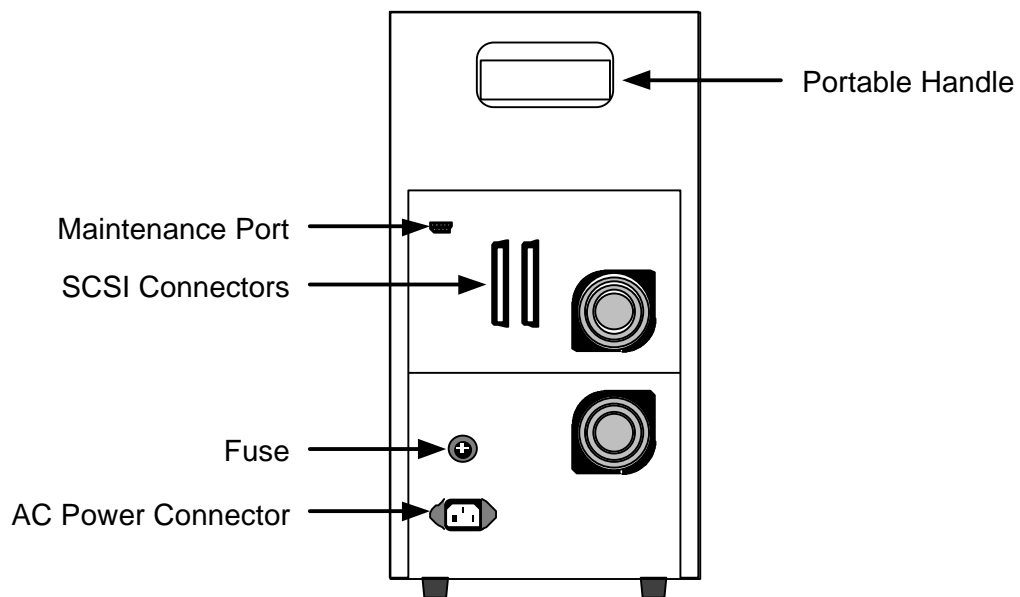


Figure 2-4 Rear View of the Drive

2.2.3 Display

The 16-character 2-line alphanumeric LCD display with backlight on the front operator panel displays various messages regarding drive operation and status.

The upper row of the display is called the “Status-Line”. It displays status information, error codes, etc.. The lower row of the display is called the “Switch-Line”. Operation switch functions are displayed here. Furthermore, the combination of the Status-Line and Switch-Line is referred to as the “Menu-Display”.

The message of the display using both upper and lower row is called the “2-Line-Message”. This message is only displayed temporarily (approx. 3 sec.).

Various “Status-Line” displays are explained in Table 2-2, 2-3 and 2-4. Various “2-Line-Message” displays are explained in Table 2-5.

Table 2-2 “Status-Line” Display (Part 1)

| | Display | Description |
|--------------|------------------|---|
| Drive Status | ENABLE | The drive is powering up and running the diagnostics. |
| | LOADING | The drive is loading. |
| | REWINDING | The drive is rewinding. |
| | UNLOADING | The drive is unloading. |
| | CLEAN | The drive requires cleaning with a cleaning cartridge. |
| | CLEANING | The drive is being cleaned with the cleaning cartridge. |
| | POWER-ON UNLOAD | After again turning on the power, the drive is unloading the inserted cartridge. |
| | PwrOn UNLD TO 10 | After again turning on the power, the CSL return the inserted cartridge to slot 10. |
| CSL Status | LOADING FROM # | The CSL is loading from the magazine. |
| | UNLOADING TO # | The CSL is unloading to the magazine. |
| | CSL INITIALIZING | The CSL is in operation. |
| | WAITING CSL RDY | The CSL is in operation. |
| | END OF STACK | All cartridges have been processed and unloaded. |
| | DOOR OPEN | The front door is open. |
| | REMOVE CART # | Remove the cartridge from the magazine. |

Marks : “#” as slot number.

Table 2-3 “Status-Line” Display (Part 2)

| | Display | Description |
|-----------------|------------------|--|
| On-line Status | STAND BY 18 | This drive is only for 18-track cartridge. [MS-8418] The cartridge is not loaded. The drive will be ready after loading. |
| | STAND BY 18w/36 | This drive is set to the write operation for 18-track. The cartridge is not loaded. [MS-843x] The drive will be ready after loading. < Option > |
| | STAND BY 18/36w | This drive is set to the write operation for 36-track. The cartridge is not loaded. [MS-843x] The drive will be ready after loading. < Option > |
| | STAND BY 36 | This drive is only for 36-track cartridge. [MS-843x] The cartridge is not loaded. The drive will be ready after loading. |
| | BOT ONLINE WE## | Loaded cartridge is write enable. The drive is ready for on-line operation. Tape is positioned at BOT. |
| | BOT ONLINE FP## | Loaded cartridge is write protected (file protected). The drive is ready for on-line operation. Tape is positioned at BOT. |
| | BOT ■■■ EOT | The cartridge is loaded and in use. The drive is ready for on-line operation. Tape is not positioned at BOT. The “■” mark indicates amount of tape used. |
| Off-line Status | OFFLINE UNLOADED | The cartridge is not loaded. The drive is not-ready for off-line operation. |
| | BOT OFFLINE WE | Loaded cartridge is write enable. The drive is not ready for off-line operation. Tape is positioned at BOT. |
| | BOT OFFLINE FP | Loaded cartridge is write protected (file protected). The drive is not ready for off-line operation. Tape is positioned at BOT. |
| | OFFLINE WE | The drive is not ready for off-line operation. Tape is not positioned at BOT. |

Marks : “#” as slot number.

Table 2-4 “Status-Line” Display (Part 3)

| | Display | Description |
|-----------------|--|--|
| Off-line Status | ONL AFTER REWIND | The drive is rewinding. The drive will be ready when complete. |
| | UNLOAD AFTER REW | The drive is unloading. |
| Setup Mode | SCSI ID 5 | “SCSI ID” Setup menu. (for example; SCSI ID=5) |
| | MENU FUNCTIONS | Setup mode. (Menu functions) |
| | CONFIGURE | Configuration menu. |
| | DIAGNOSTICS | Diagnostics menu. |
| | STATISTICS | Statistics menu. |
| | ENTER PASSWORD | Request for password entry. |
| | SAVE SETUP ? | Input request to save in this menu. |
| | ARE YOU SURE ? | Input request to confirm in this menu. |
| | Refer to items of each menu for details on the setup mode. | |
| Error | WRT PROTECT 1018 | Cannot write to write protected cartridge. |
| | 18Thi n Tape 1026 | 18-track format cannot write to extended cartridges. |
| | NO MAGAZINE | No magazine in the CSL. |
| | NO CARTRIDGE | No cartridge in the inserted magazine. |
| | INVALID PASSWORD | Entered password is invalid. |
| | DIAGNOSTIC ERROR | Error detected during powering up diagnostics. |
| | Refer to Chapter 5 for details on errors with the lighted ALERT indicator. | |

Table 2-5 “2-Line-Message” Display

| | Display | Description |
|------------|-------------------------------------|--|
| | DIAGNOSTICS COMPLETED OK | Powering up diagnostics have successfully completed. |
| Setup Mode | WILL SAVE SETUP IN FLASH ROM | Can save to Flash-ROM. |
| | SETUP SAVED IN FLASH ROM | Saved to Flash-ROM. |
| | NO CHANGES TO CONFIG SETUP | Cannot change setup. |
| | WILL SAVE SETUP UNTIL POWER DOWN | Settings can be used until turning off power. |
| | SETUP SAVED UNTIL POWER DOWN | Settings stored until turning off power. |
| | MUST POWER DOWN BEFORE EFFECTIVE | Turn off the power. |
| | DON' T POWER DOWN | Do not turn off the power. |

2.2.4 Operation Switch

The 3 button type switches on the front operator panel are used to control the drive. Operation switch function are displayed on the lower row (Switch-Line) of the display. Follow the display to operate the 3 switches.

Pressing a switch changes the display contents of the menu. The Switch-Line will then display new switch functions according to the new menu. In other words, switch functions change every time a switch is pressed. Relationship of the position between the Switch-Line and the switches are explained in Figure 2-5. The function of the switches are explained in Table 2-6.

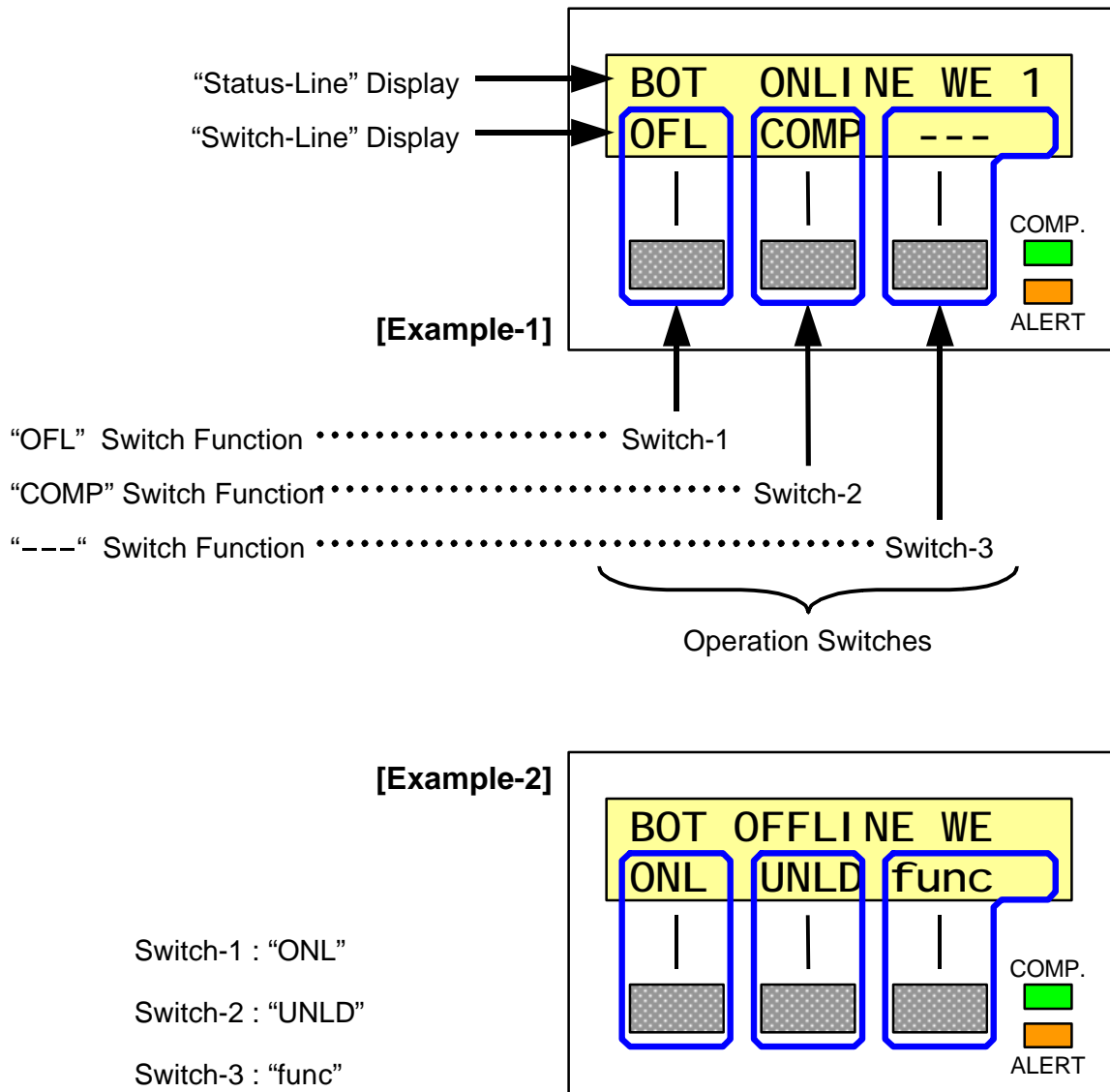


Figure 2-5 Relationship of "Switch-Line" Positions

NOTE

The display of each function is punctuated with 1 or more blank spaces.

Table 2-6 “Switch-Line” Display and Switch Function

| | Display | Switch Function |
|--------------------|--|--|
| Common | --- | The switch is not defined. |
| | >>> | Change to the next menu. |
| | EXIT | Exit menu of the current layer. |
| | YES | Permit input request of the Status-Line. |
| | NO | Decline input request of the Status-Line. |
| | TEMP | Temporarily use input request of the Status-Line. |
| On-line | OFL | Enter the off-line operation. |
| | Sel | Select the magazine slot number. |
| | LOAD | Load a cartridge into the slot having the selected number. |
| | COMP | Switch the data compression mode. |
| Off-line | ONL | Return to the on-line operation. |
| | REW/UNL | Rewind. |
| | UNLD | Unload. |
| | DEN | The write operation can be switched for 18/36 track drive. |
| | func | The “SCSI ID” setup. |
| “SCSI ID” Setup | func | The setup mode. |
| | CHG | Change the “SCSI ID”. |
| | EXIT | Return to the on-line operation. |
| Setup Mode | CONF | The configure mode. |
| | DIAG | The diagnostics mode. |
| | STAT | The statistics mode. |
| | FUNLD | Recover from servo error. |
| | CSL | The CSL operation mode. |
| | CHG | Change setup. |
| | NEXT | Advance to the next display. |
| | Refer to items of each menu for details on the setup mode. | |

2.2.5 Indicator

The 2 indicators on the front operator panel show the drive status. The conditions for the indicators lighting are explained in Table 2-7.

Table 2-7 Indicators

| Indicator | Color | Description |
|--------------|-------|--|
| COMP. | Green | When the LED is lighted, the drive writes in the compressed mode(IDRC). When the LED is not lighted, the drive writes in the uncompressed mode. This LED indicates the writing mode and does not reflect the read mode. |
| ALERT | Red | This LED is lighted when an error is detected. At this time, error code etc. will be displayed on the Status-Line (upper row). |

2.3 Powering Up

2.3.1 Installing Cables and Interfaces

Connect the attached AC power cable to the AC power connector located on the rear panel, then insert the plug to an AC power outlet.

Refer to section 4.1 and connect the SCSI cable to the SCSI connector.

2.3.2 Turning in the Power

Turn the power switch on the front panel from off [**O**] to on [**I**] (Refer to Figure 2-2) to supply AC power to the drive. The backlight of the operator panel display will light (yellow).

Self-diagnostics will be executed for approximately 20 seconds after turning the drive on. During this time, "ENABLE..." will be displayed on the Status-Line of the display and communication with interface and operator panel operations are disabled.

"STAND BY" is displayed on the Status-Line of the display when the self-diagnostics is successfully complete and use of the drive is enabled. If an error has been detected during the self-diagnostics, the ALERT indicator will light and an error message will appear on the display.

CAUTION

When turning off the power, wait at least 10 seconds before turning the power back on.

2.3.3 On-line Mode / Off-line Mode

There are 2 types of operating modes: the on-line mode and off-line mode. The on-line mode displays an on-line status on the Status-Line, indicating that the drive is ready. The off-line mode displays an off-line status on the Status-Line, indicating that the drive is not ready. Refer to Table 2-3.

The operation mode (on-line / off-line) can be switched using the operation switch on the front panel. Figure 2-6 shows the procedure to switch from the on-line mode to the off-line mode. Figure 2-7 shows the procedure to switch from the off-line mode to the on-line mode.

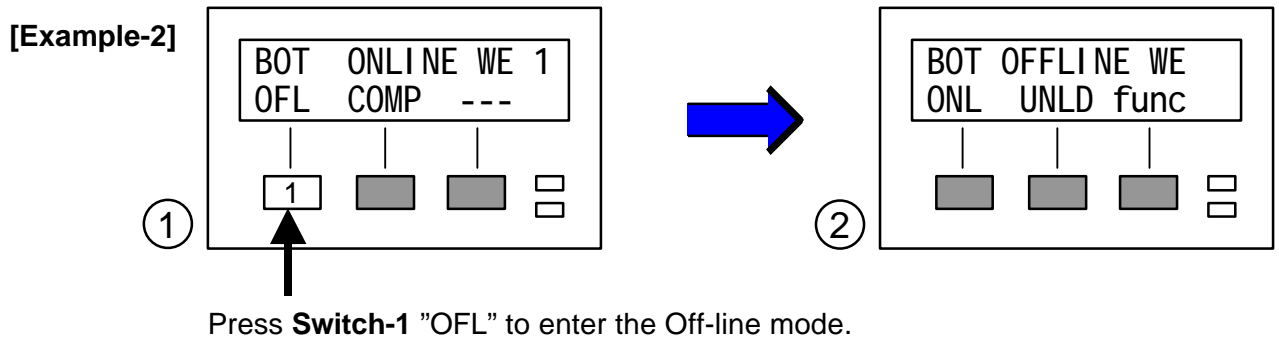
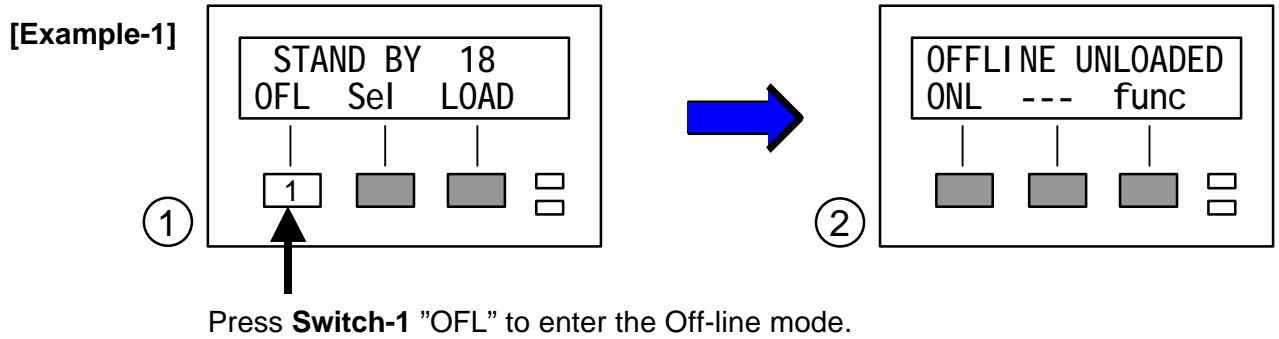


Figure 2-6 On-line Mode to Off-line Mode

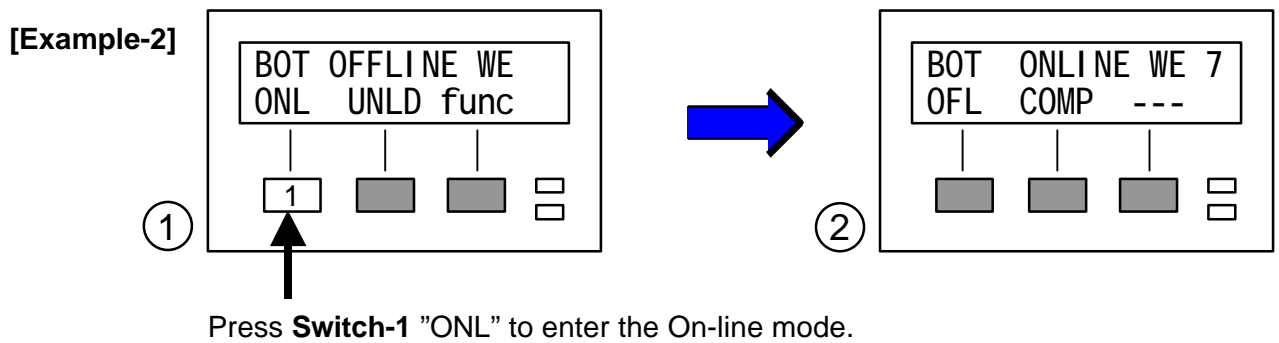
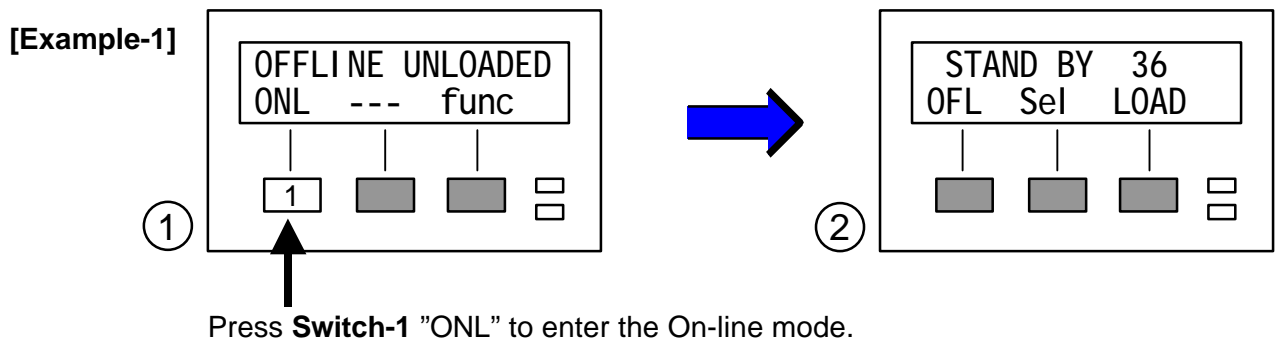


Figure 2-7 Off-line Mode to On-line Mode

During the on-line mode, tapes can be read/write when a cartridge is loaded. During the on-line mode, a cartridge can be load from the magazine when a cartridge is not loaded. The off-line mode enables unload and drive setup.

2.3.4 Switching the Recording Format

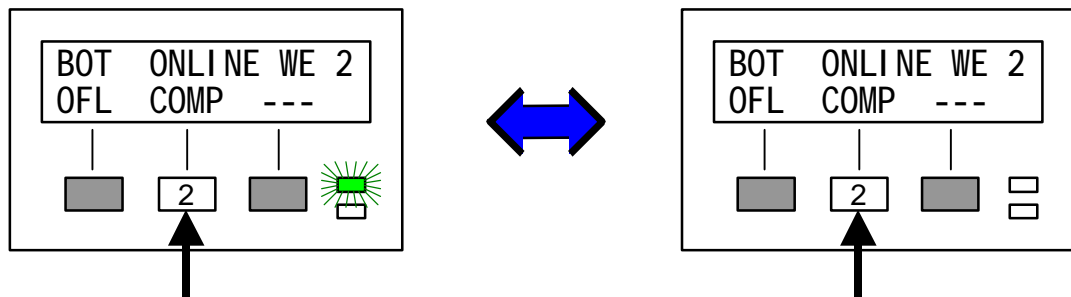
When the operation mode is in the on-line mode and when a cartridge is loaded, recording format can be switched to uncompressed or compressed. Switching of recording format is valid only tape positioned at BOT with write enable status and switching is automatic when reading data. The COMP indicator also shows the recording format during writing of data.

When the COMP indicator is lit, the drive will write in compressed format. Pressing the center Switch-2 "COMP" will turn off the indicator and the drive will write in uncompressed format. Refer to the left side of Figure 2-8.

When the COMP indicator is not lit, the drive will write in uncompressed format. Pressing the center Switch-2 "COMP" will turn on the indicator and the drive will write in compressed format. Refer to the right side of Figure 2-8.

[Compressed Recording Format]

[Uncompressed Recording Format]



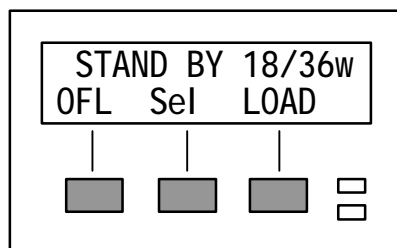
Press **Switch-2** "COMP" to switch between uncompressed and compressed.

Figure 2-8 Switching the Recording Format

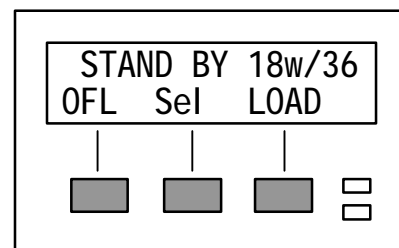
2.3.5 Switching the Write Operation [for 18/36 track drive only]

With 18/36 track drive, it is possible to switch between the 18-track and 36-track write operation using the operation switches on the front of the operator panel.

The current write operation can be determined when "STAND BY" is displayed on the center of the Status-Line. When "18/36w" is displayed on the right of the Status-Line, the 36-track write operation is selected. When "18w/36" is displayed on the right of the Status-Line, the 18-track write operation is selected. In other words, the letter "w" following the number of tracks indicates which operation is selected. Refer to Figure 2-9.



[36-track Write Operation]



[18-track Write Operation]

Figure 2-9 Current Write Operation

CAUTION

The 18-track write operation of the 18/36 track drive is IBM compatible but does not conform to ANSI. Use caution when exchanging data with the drives of other companies.

The following procedure to change the "Write Operation Setup". Refer to Figure 2-10.

- 1) First, unload the cartridge. If the operation mode is in the on-line mode, change to the off-line mode. Refer to Figure 2-6.
- 2) "DEN" will be displayed on the center Switch-Line of the display. Pressing the center Switch-2 "DEN" displays the current write operation on the Status-Line of the display. This menu is the Write Operation setup.
- 3) To change the Write Operation, pressing the center Switch-2 "CHG" each time displays another Write Operation on the Status-Line.

When "WRITE 18" is displayed on the center of the Status-Line, the 18-track write operation is selected. When "WRITE 36" is displayed on the center of the Status-Line, the 36-track write operation is selected.

When "TRACK" is displayed on the right of the Status-Line, the SCSI command is enabled the write operation to change. When "(FORCE)" is displayed on the right of the Status-Line, the SCSI command is disabled the write operation to change.

- 4) To complete the setup, press the left Switch-1 "EXIT". "SAVE SETUP?" will be displayed on the Status-Line.
- 5) Press the Switch-1 "YES" to save the current setup.
Press the Switch-2 "NO" to abort and use the previous setup.
Press the Switch-3 "TEMP" to use the current setup until turning off the power.
Pressing the Switch-2 returns this menu. Pressing the Switch-1 or Switch-3 "ARE YOU SURE ?" will be displayed on the Status-Line.
- 6) Press the Switch-1 "YES" to save the current setup.
Press the Switch-2 "EXIT" to abort and use the previous setup.
Pressing either switch, this menu will be exited and the off-line mode will return.

[Changing to 18-track Write Operation] [Changing to 36-track Write Operation]

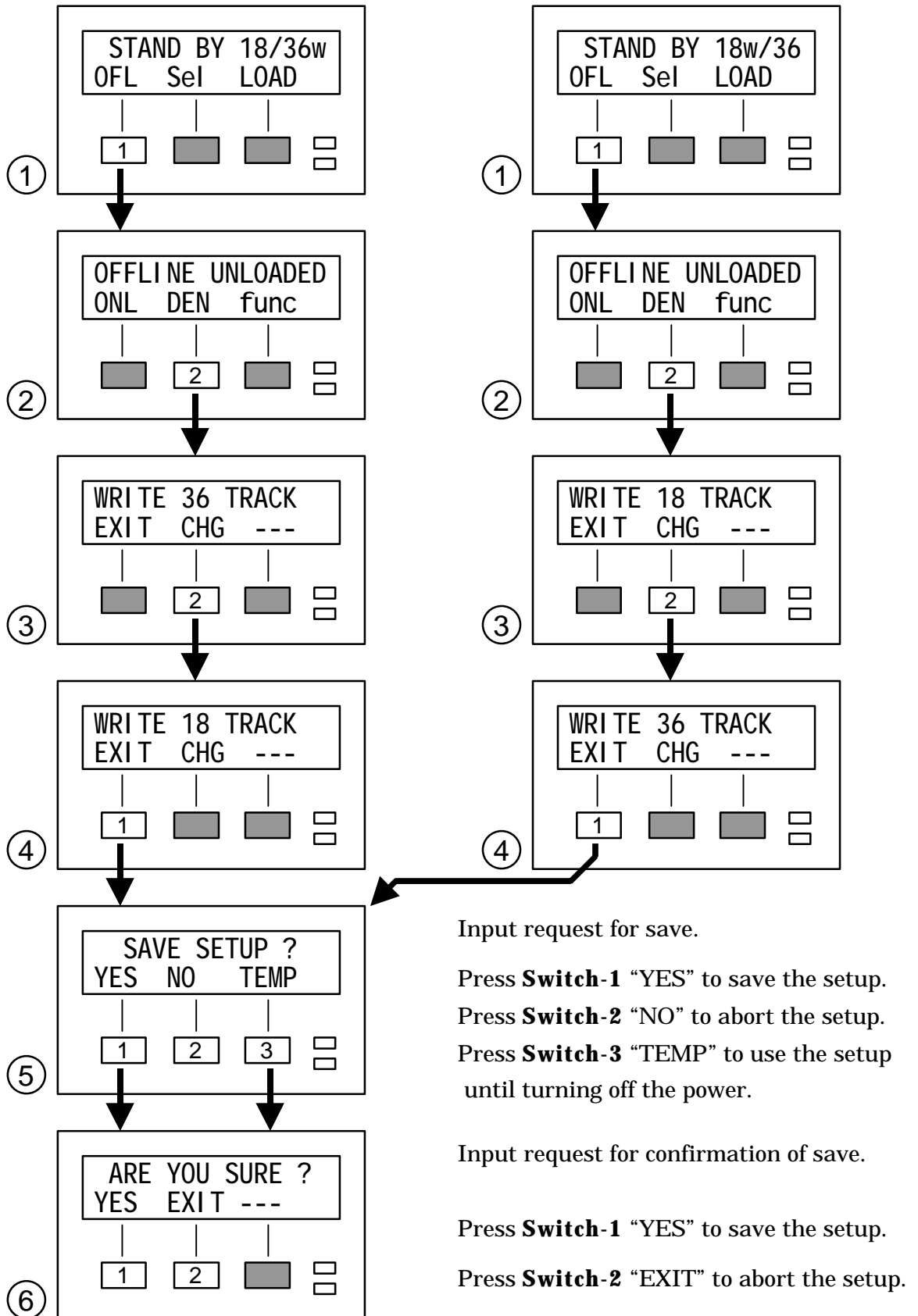


Figure 2-10 Write Operation Setup










2.3.6 CSL Operation Mode



The method used by the Cartridge Stack Loader(CSL) to load and unload cartridges differs depending on the operation mode. Table 2-8 shows the operation modes and overviews. Table 2-9 explains the loading methods. Refer to section 4.2.3 for the operation mode setting method.

Table 2-8 CSL Operation Mode

| Mode | Display | Description |
|-----------|---------|--|
| Manual | Manual | The cartridges must be loaded one at a time. |
| Automatic | Auto | After the first cartridge has been loaded and then unloaded with the SCSI Unload command from the host computer, the next cartridge will be loaded automatically. A maximum of 10 cartridges can be loaded continuously and automatically in this way. |
| | AUTOcyc | Operation is the same as for [Auto] but, when the last cartridge has been unloaded, the first cartridge will again be loaded. |
| System | SYS | SCSI cartridge loader commands are supported. |
| | SYSauto | Operation is the same as for [SYS] but automatic loading is possible. |
| | Random | SCSI media changer device commands are supported. |

Table 2-9 CSL Loading Methods

| Operation Mode | First Cartridge | | Next Cartridge | |
|-------------------|--|--|--|--|
| | Load | Unload | Load | Unload |
| Manual |  SCSI Load |  SCSI Unload |  SCSI Load |  SCSI Unload |
| Automatic |  SCSI Load |  SCSI Unload |  SCSI Load  Auto Load |  SCSI Unload |
| System | Any cartridge can be loaded and unloaded. | | | |

Marks :  Manual operation using the Operator Panel.
 “SCSI Load” / “SCSI Unload”Remote control from SCSI.

2.4 Loading a Cartridge

Before loading a cartridge, make sure that the write protect selector is on either write enable (white dot not showing) or write protected (white dot showing). Refer to Figure 2-1.

NOTE

The write protect selector on the cartridge protects data from being overwritten. When the write protect selector is on the write protect position, the white dot (key mark) on the flat side of the selector will be visible from the side of the cartridge.

2.4.1 Front Door

It is possible to lock/unlock the front door by using the supplied keys (door-lock and keys are optional). To lock the front door, insert the key in the door-lock keyhole located on the front panel and turn counterclockwise. To unlock the front door, insert the key in the door-lock keyhole located on the front panel and turn clockwise. Refer to Figure 2-11.

The front door can be opened by pulling the door knob when unlocked. "DOOR OPEN" will be displayed on the Status-Line when the front door is open. To close the front door, push it back to the original position.

NOTE

The front door can be opened or closed regardless whether the power is on. The CSL mechanism will automatically stop operation if the door is opened. The CSL mechanism will resume operation when the door is once again closed, however, operation may take some time since cartridges will be re-scanned.

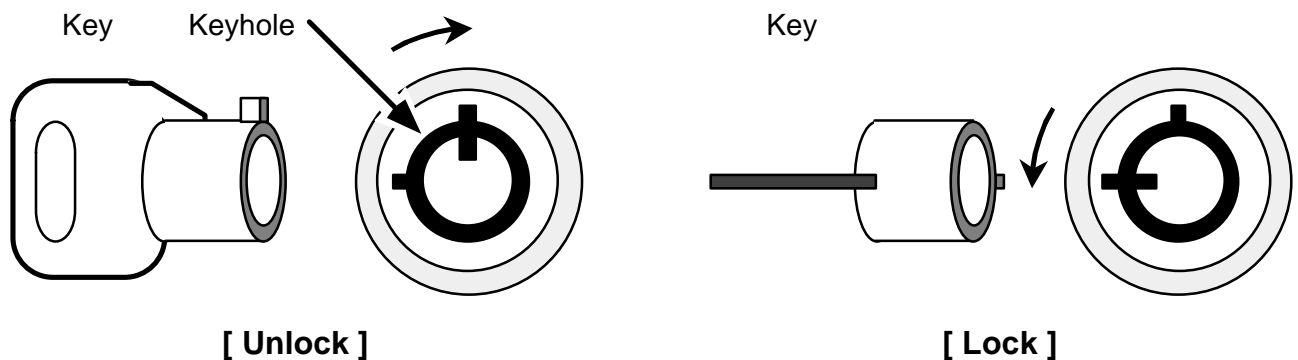


Figure 2-11 Door Lock

2.4.2 Magazine

Up to 10 cartridges can be loaded into the magazine provided with the CSL. This magazine can be removed by opening the front door and can be carried using the magazine handle.

To remove the magazine from CSL: Open the front door and grasp the magazine handle. Tilt the upper section of the magazine forward and pull up.

To install the magazine into the CSL: Open the front door and while grasping the magazine handle, let the bottom of the magazine rest on the bottom holder. Push the upper section of the magazine until it locks in position. Refer to Figure 2-12.

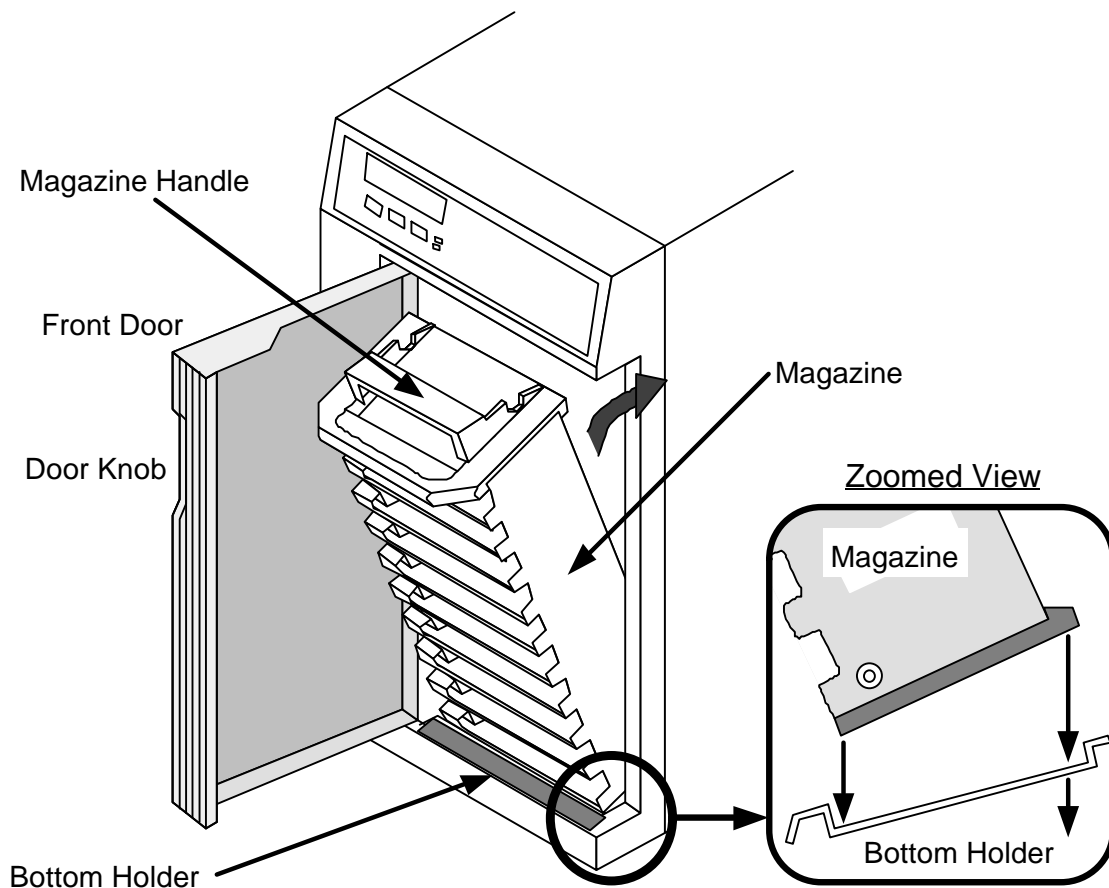


Figure 2-12 Installing the Magazine

CAUTION

When transporting the magazine, carry by the magazine handle so that the bottom of the magazine becomes directly under. Shaking the magazine may cause cartridges to fall from the slots.

2.4.3 Inserting a Cartridge

Each of the magazine's 10 cartridge slot can hold one cartridge and is numbered 1 through 10, top to bottom. Each slot is the same and cartridges are only distinguished by their number. Refer to Figure 2-13.

Open the front door and insert the cartridges facing in the correct direction (leading block away from you) into the slot of the magazine, as shown in Figure 2-13. Insert cartridge completely until hitting the stopper located on the left side of the slot.

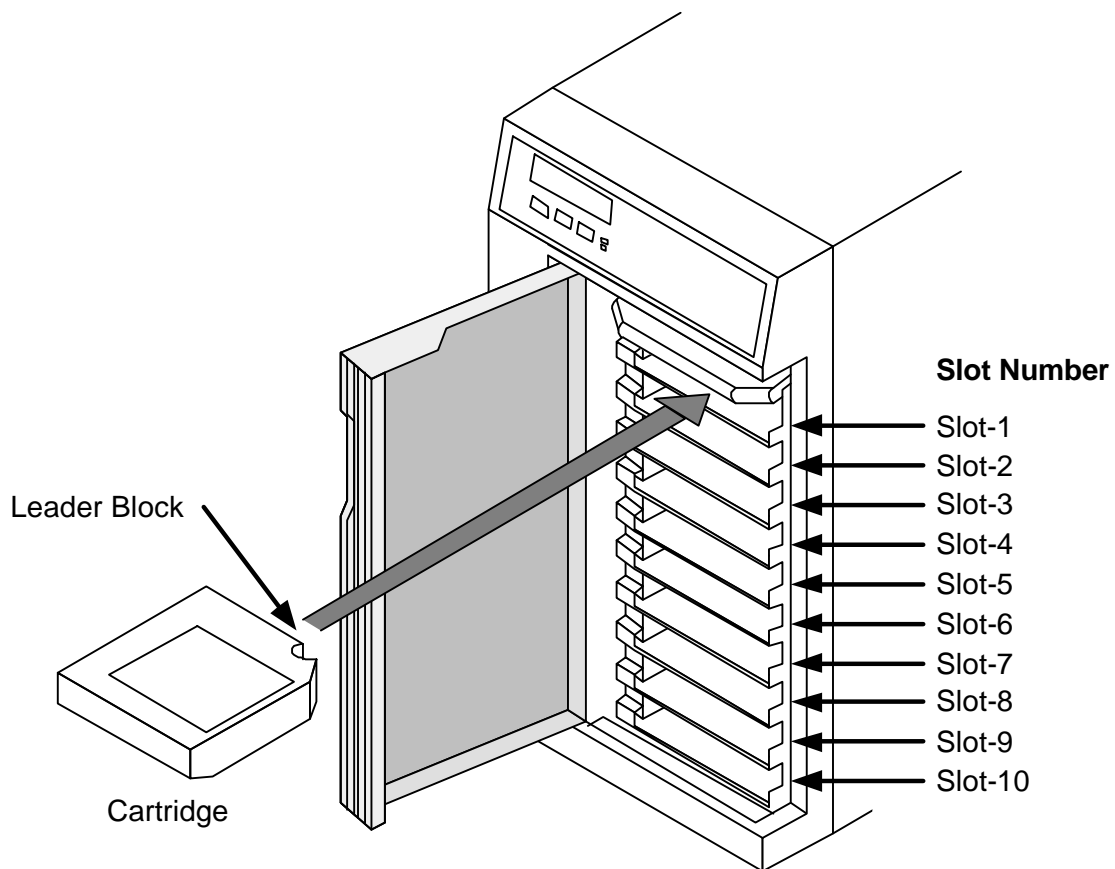


Figure 2-13 Inserting a Cartridge

NOTE

Cartridges can be inserted into magazines while removed from the CSL. Follow the same procedure as when within the CSL. Refer to Figure 2-13.

The order of the loading procedure is always the upper slot. When there are empty slots midway in the magazine, empty slots are ignored and the next inserted cartridge in sequence is loaded.

When either **Automatic** or **Manual** operation is set, the cartridge loading sequence will be as shown in Table 2-10.

Table 2-10 Cartridge Loading Sequence

| | | Slot Number | | | | | | | | | |
|---------|---|-------------|---|---|---|---|---|---|---|---|----|
| | | 1 | 2 | 3 | 4 | 5 | 6 | 7 | 8 | 9 | 10 |
| Example | 1 | ① | ② | ③ | ④ | ⑤ | ⑥ | ⑦ | ⑧ | ⑨ | ⑩ |
| | 2 | ① | ② | ③ | ④ | ⑤ | — | — | ⑥ | — | — |
| | 3 | — | — | ① | — | ② | ③ | ④ | — | — | ⑤ |

Marks : ○Possible for auto load (circled numbers are the load sequence).
 —Empty slot (No cartridge).

When the **System** operation mode is set, the loading sequence will depend on the application program being used by the host computer.

2.4.4 Selecting a Cartridge

Whether or not the slots of the magazine contain cartridges can be searched by closing the front door. During the search, "CSL INITIALIZING" will be displayed on the Status-Line of the display. When the search is ended, "STAND BY" will be displayed on the center of the Status-Line and a cartridge can be loaded into the top slot of the magazine.

At that time, the operation switches of the front operator panel can be used to select and load the cartridge in any optional slot.

The following procedure to select the “Slot Number Select setup”. Refer to Figure 2-14.

- 1) First, unload the cartridges. If the operation mode is in the off-line mode, change to the on-line mode. Refer to Figure 2-7.
- 2) “Sel” will be displayed on the center Switch-Line of the display. Pressing the center Switch-2 “Sel” displays the currently selected slot number on the Status-Line of the display. This menu is the Slot Number Select setup.
- 3) To change the Slot Number, pressing the center Switch-2 “NEXT” each time increases slot number on the right of the Status-Line. Only the numbers of slots where cartridges are inserted will be displayed.
- 4) Press the Switch-1 “SAVE” to select the currently displayed slot number.
Press the Switch-3 “EXIT”, operation will end without changing the slot number.
- 5) Pressing the Switch-3 “EXIT”, this menu will be exited and the on-line mode will return.

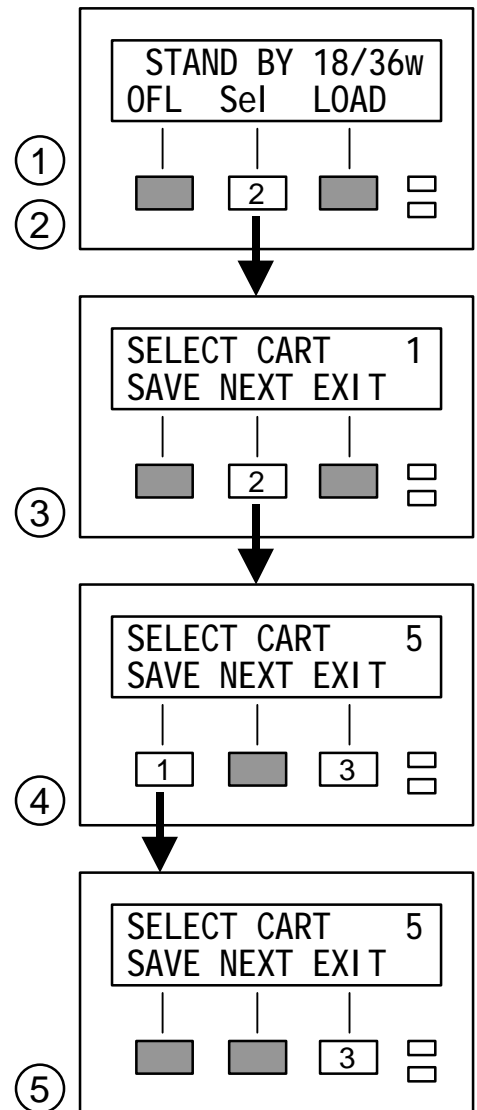


Figure 2-14 Slot Number Select

CAUTION

When the Slot Number Select setup is exited, cartridges below the selected slot number can be used. Consequently, cartridges above the selected slot number will be ignored. To use cartridges above the selected slot number, repeat the operation using the Slot Number Select setup.

2.4.5 Loading the Cartridge

First, if the operation mode is in the off-line mode, change to the on-line mode (Refer to Figure 2-7). "STAND BY" will be displayed on the center Status-Line of the display.

"LOAD" will be displayed on the right Switch-Line of the display. Pressing the right Switch-3 "LOAD" begins loading the cartridge from the selected magazine slot (Refer to Table 2-9 and 2-10). Cartridge will automatically be loaded from the magazine slot to the tape path within the drive. "LOADING FROM xx" will be displayed on the Status-Line during loading. The "xx" represents the slot number.

CAUTION

The front door may be opened or closed during while the device is on ready. However, the cartridge following the one will be loaded from the upper slot when opening the door. Thus, the order of the cartridge to load may change.

"ONLINE" will appear on the center of the Status-Line when loading is complete and drive will be ready. The drive is now read/write enabled. Refer to Figure 2-15.

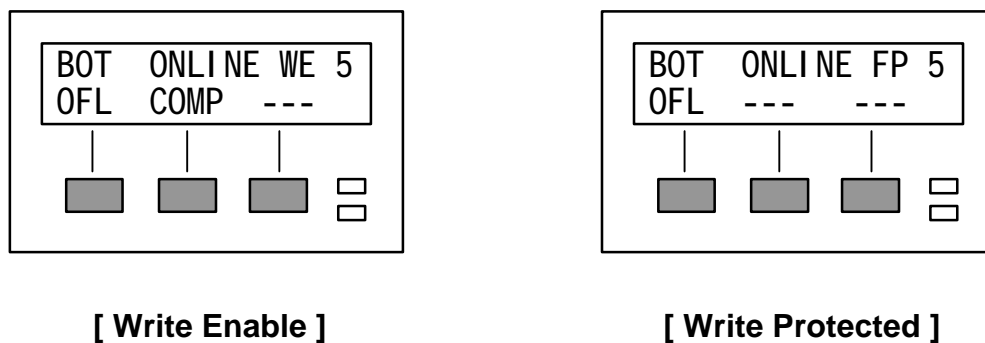


Figure 2-15 Completion of the Loading

CAUTION

The front door may be opened or closed during while the device is on ready. However, when the door is once opened or closed, the cartridge in the top slot will be loaded next and the slot number selection will become invalid. Consequently, the sequence in which the cartridges are to be loaded can be changed by opening or closing the door.

2.5 Unloading the Cartridge

2.5.1 Manual Unloading

First, enter the off-line mode if in the on-line mode (Refer to Figure 2-6). "OFFLINE" will be displayed on the center Status-Line of the display.

"REW/UNL" or "UNLD" is displayed on the center of the Switch-Line. Pressing the center Switch-2 "REW/UNL" during when the display is "REW/UNL" rewinds the tape and the display changes to "UNLD". Pressing Switch-2 "UNLD" at this time unloads the cartridge. Pressing the center Switch-2 "UNLD" when "UNLD" is displayed unloads the cartridge immediately. Refer to Figure 2-16.

"UNLOADING" or "UNLOAD AFTER REW" will appear on the Status-Line when unloading, and the drive will become not ready. "UNLOADING TO xx" will be displayed on the Status-Line during unloading. The "xx" represents the slot number. The cartridge will be returned to the original slot and "STAND BY" will be displayed on the center of the Status-Line to indicate the end of the unloading operation. When all of the cartridges have been unloaded, "END OF STACK" will be displayed on the Status-Line.

Now that the unloading operation has ended, the door can be opened and the cartridges removed from the magazine.

2.5.2 Unloading from SCSI

Set the operation mode to on-line and execute the SCSI Unload Command from the host computer.

"UNLOADING" or "UNLOAD AFTER REW" will appear on the Status-Line of the display when unloading, and the drive will become not ready. "UNLOADING TO xx" will be displayed on the Status-Line during unloading. The "xx" represents the slot number. The cartridge will be returned to the original slot and "STAND BY" will be displayed on the center of the Status-Line to indicate the end of the unloading operation.

After that, if there is a cartridge in the lowermost slot of the magazine, cartridges can be loaded automatically from the slots above. Refer to section 2.3.6.

If there is no cartridge in the lowermost slot, that is, when all of the cartridges have been unloaded, "END OF STACK" will be displayed on the Status-Line, and the door can be opened and the cartridges removed from the magazine.

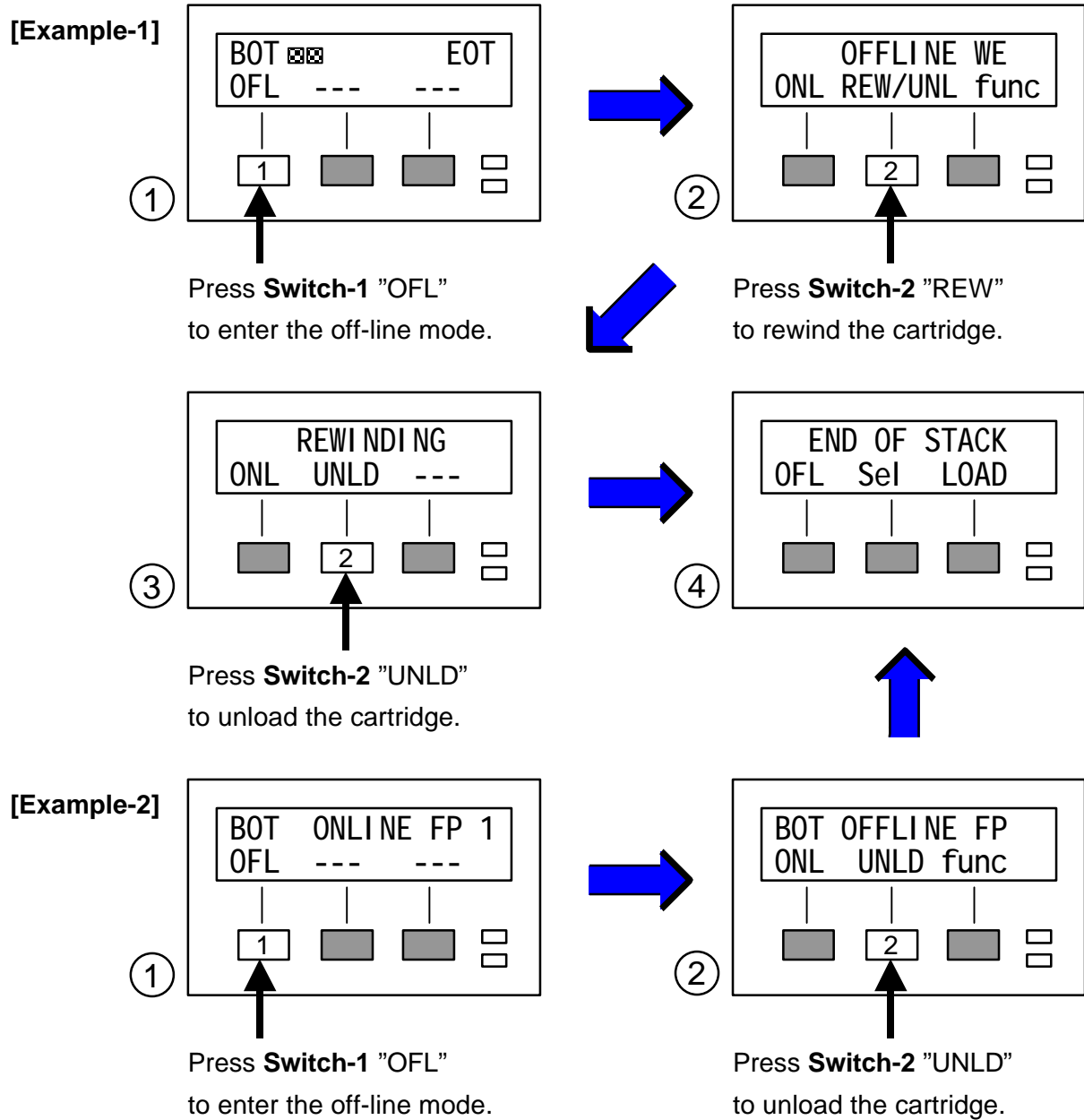


Figure 2-16 Unloading the Cartridge

CAUTION

If the drive is to be relocated or reshipped, unload and remove the cartridge first. Furthermore remove all cartridges from the magazine. If a drive is transported with the cartridge still inserted, the media could be damaged, resulting in loss data.

Chapter 3 MAINTENANCE

This drive is designed for maintenance free, except as follows.

3.1 Cleaning the Tape Head

Clean the tape head and path using the IBM 3480 cleaning cartridge (IBM P/N 4780527 or compatible).

This cleaning operation should be performed periodically to help prevent read or write errors. The tape head and path should be cleaned every 8 hours during continuous operation. They should be cleaned at least once a day, even if the operation is not continuous.

Clean the tape head and path immediately if the operator panel display the “CLEAN” message on the Status-Line of the display. This message is displayed only when rewinding, loading or unloading.

Follow the manufacturer’s recommendations for the use of the cleaning cartridge and keep track of the number of uses.

WARNING!

Do not clean the tape head directly with cotton swabs etc.. The tape head of the drive may be destroyed due to its thin coating structure, if the receiving force exceeds the pressure of prescription (tape tension).

Load the cleaning cartridge into the drive as with standard cartridges (Refer to Section 2.4). The drive automatically initiates cleaning when the cartridge is loaded. The cartridge is automatically unloaded when cleaning is complete.

NOTE

When cleaning is complete, the “CLEAN” display will be replaced by the standard Status-Line display.

Marking the top face label of a cleaning cartridge whenever cleaning has finished is convenient to keep track of the number of uses.

3.2 Repairing the Leader Block

Although not often, the leader block may sometimes separate from the tape. If this occurs, reattaching the leader block to recover previously recorded data is permitted one time.

CAUTION

The following procedure is only permitted when the cartridge contains important data that needs to be recovered. The leader block attachment is a temporary part permitted to recover data one time.

After reattaching the leader block and transferring the contained important data to a computer, destroy the cartridge.

The leader block of the cartridge can be reattached easily by using the leader block attachment kit (IBM P/N 4780625). This kit contains a leader block, leader block pin and clutch tool. To reattach leader block, remove tape from the cartridge then attach the leader block to the tape in a straight line. The leader block insert kit (IBM P/N 4780624) containing only a leader block and leader pin is also available. For procedure on the repair, refer to the instructions enclosed with either kit.

CAUTION

Always use the clutch tool to replace the leader block.

NOTE

For repair kits, contact the cartridge manufacturer.

Chapter 4 INSTALL and SETUP

4.1 Installation

4.1.1 Installation Procedure

Use the following procedure to install this drive. For details, refer to the “Installation Notes” of the host computer.

- 1) Install the drive in a safe place. Do not connect the SCSI cables yet.
- 2) Operate the host computer and search for a vacant SCSI ID number.
- 3) Stop the host computer system and turn off the power supply.
- 4) Connect the AC power cable and SCSI terminator to the drive. (Refer to section 4.1.3.)
- 5) Turn on the drive power supply. (Refer to section 2.3.2.)
- 6) Set the drive SCSI ID to the vacant number, and set the emulation mode, etc., to match those of the host computer system. (Refer to section 4.2.)
- 7) Turn off the drive power supply. (Refer to section 2.3.2.)
- 8) Connect the host computer system and the drive. (Refer to section 4.1.3.)
- 9) Turn on the drive power supply and then start the host computer system.
- 10) Operate the host computer and register the drive.

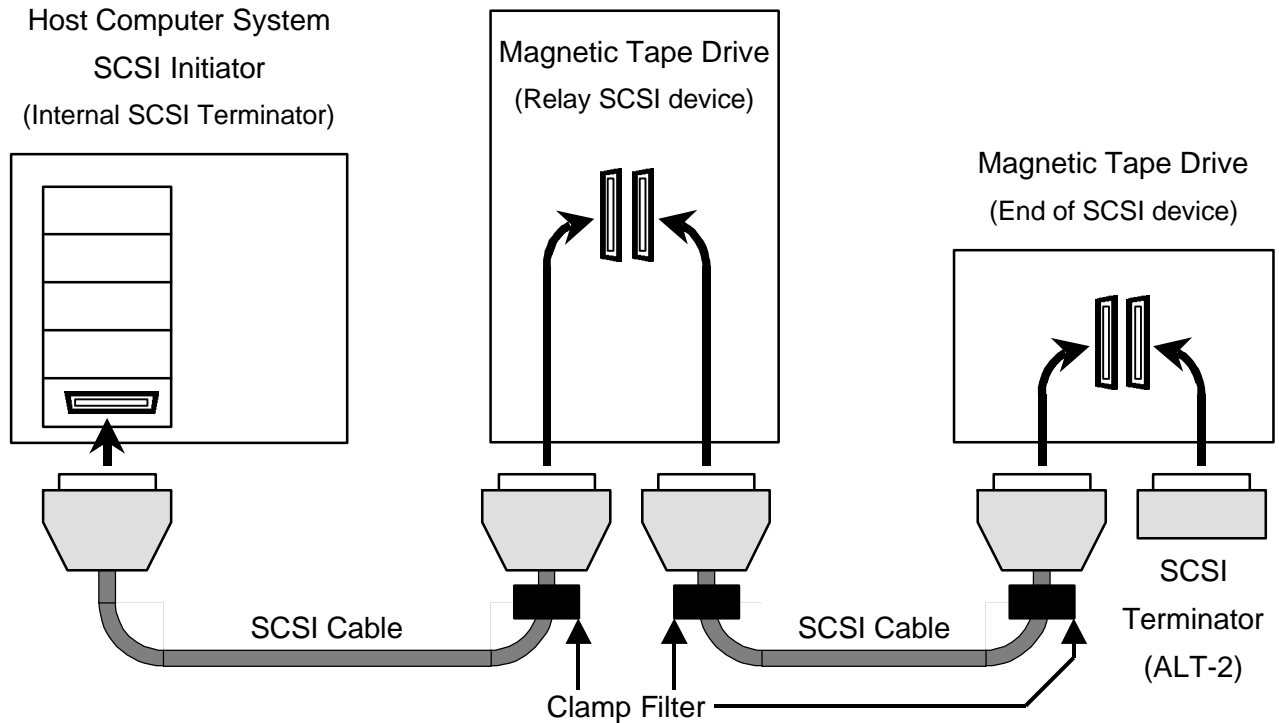
4.1.2 Installation Precautions

Observe the following precautions during installation.

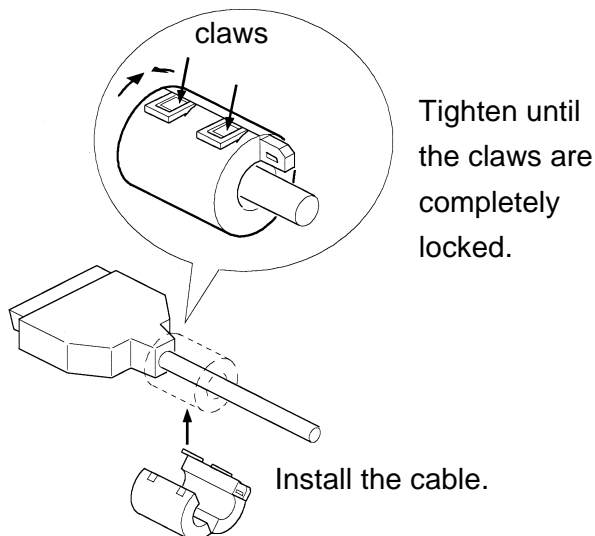
- 1) The host computer system should be operated by the systems manager.
- 2) The SCSI cable should be the minimum possible length. Also, use high-impedance shielded cable.
- 3) Always install a SCSI terminator at both ends of the SCSI system being connected. Also, use an active SCSI terminator (ALT-2) for single-end SCSI model.
- 4) Do not turn off the drive power supply while the host computer system is in use.
- 5) After turning off the drive power supply, wait at least 10 seconds before turning the power supply on again.

4.1.3 SCSI Cable Connection

The two SCSI connectors on the rear panel of the drive can be used for either input or output. Refer to Figure 4-1 and connect the SCSI cables and the SCSI terminator. Also install a clamp filter on the SCSI cable and fasten it at the end near the SCSI connector of the drive.



Clamp Filter Installation



Fastening the Clamp Filter

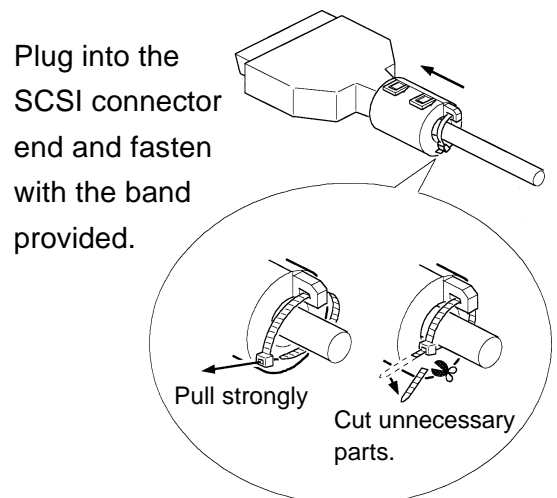


Figure 4-1 SCSI Cable Connection

4.2 Setup

This drive can be set up from the operator panel on the front.

Table 4-1 shows the standard setup values. Also, when changing the standard setup values, enter the changes in this table for reference. (Refer to section 4.4 for the values that can be set.)

Table 4-1 Setup Values

| Contents | | Standard Setup Value | | Currently Set Value | Comments |
|----------|---------------|--|----------|---------------------|--------------------|
| Type | Items | MS-8418 | MS-843x | | |
| SCSI | SCSI ID | 5 | | | |
| | CSL LUN | 1 | | | |
| | WIDE NEGТ | SCSI-2 model : <u>DSABL</u> SCSI-3 model : <u>ENABL</u> | | | |
| | SYNC NEGТ | ENABL | | | |
| | SAVE PNTR | ENABL | | | |
| | LD/RWD STAT | OFLN | | | |
| | BUFER MODE | buff | | | |
| | FMK SYNC | al l | | | |
| | BOT PRE-RD | norm | | | |
| | WR RETRIES | 10 | | | |
| | RD RETRIES | 10 | | | |
| DRIVE | COMPRESSION | OFF | ON | | |
| | COMP SWITCH | ON | | | |
| | EMULATION | ECHO | | | |
| | DEFALT CFG | FLASH | | | |
| | WRT ERR | norm rec | | | |
| | PERM RD ERR | norm | | | |
| | ERSE W2 DID | --- | norm | | |
| | Rd AHEAD FMK | go | | | |
| 18WRT | WRITE | --- | 36 TRACK | | 18/36 track model. |
| CSL | CSL MODE | Auto | | | |
| UCODE | CURRENT CNTL | Enter when the firmware is updated. | | MEC | |
| | CURRENT FORM | | | MEF | |
| | CURRENT SCSI | | | MES | |
| | CURRENT SERVO | | | MEV | |
| | CURRENT CSL | | | MEL | |

4.2.1 SCSI ID Setup

CAUTION

The power supply of the drive must be turned off when changing the SCSI ID setup, so operate it independently without connecting to the host computer system.

The following procedure to set the “SCSI ID setup”. Refer to Figure 4-2.

- 1) First, unload the cartridge. If the operation mode is in the on-line mode, change to the off-line mode. Refer to Figure 2-6.
- 2) “func” will be displayed on the right Switch-Line of the display. Pressing the right Switch-3 “func” displays the current “SCSI ID” on the Status-Line of the display. This menu is the SCSI ID setup.
- 3) To change the SCSI ID, pressing the center Switch-2 “CHG” each time increases SCSI ID number on the right of the Status-Line. SCSI ID can be any number from 0 to 15. (The numbers from 8 to 15 are reserved for use with SCSI-3=WIDE SCSI.)
- 4) To complete the setup, press the right Switch-3 “EXIT”. “SAVE SETUP?” will be displayed on the Status-Line.
- 5) Press the Switch-1 “YES” to save the current setup.
Press the Switch-2 “NO” to abort and use the previous setup.
Pressing the Switch-2 returns the SCSI ID setup menu. Pressing the Switch-1 “ARE YOU SURE ?” will be displayed on the Status-Line.
- 6) Press the Switch-1 “YES” to save the current setup.
Press the Switch-2 “EXIT” to abort and use the previous setup.
Pressing either switch returns the SCSI ID setup menu.
- 7) Turn off the power when changing the setup.
When not changing the setup, press the right Switch-3 “EXIT” to return to the off-line mode.

CAUTION

New setup will not be valid unless turning off the power.

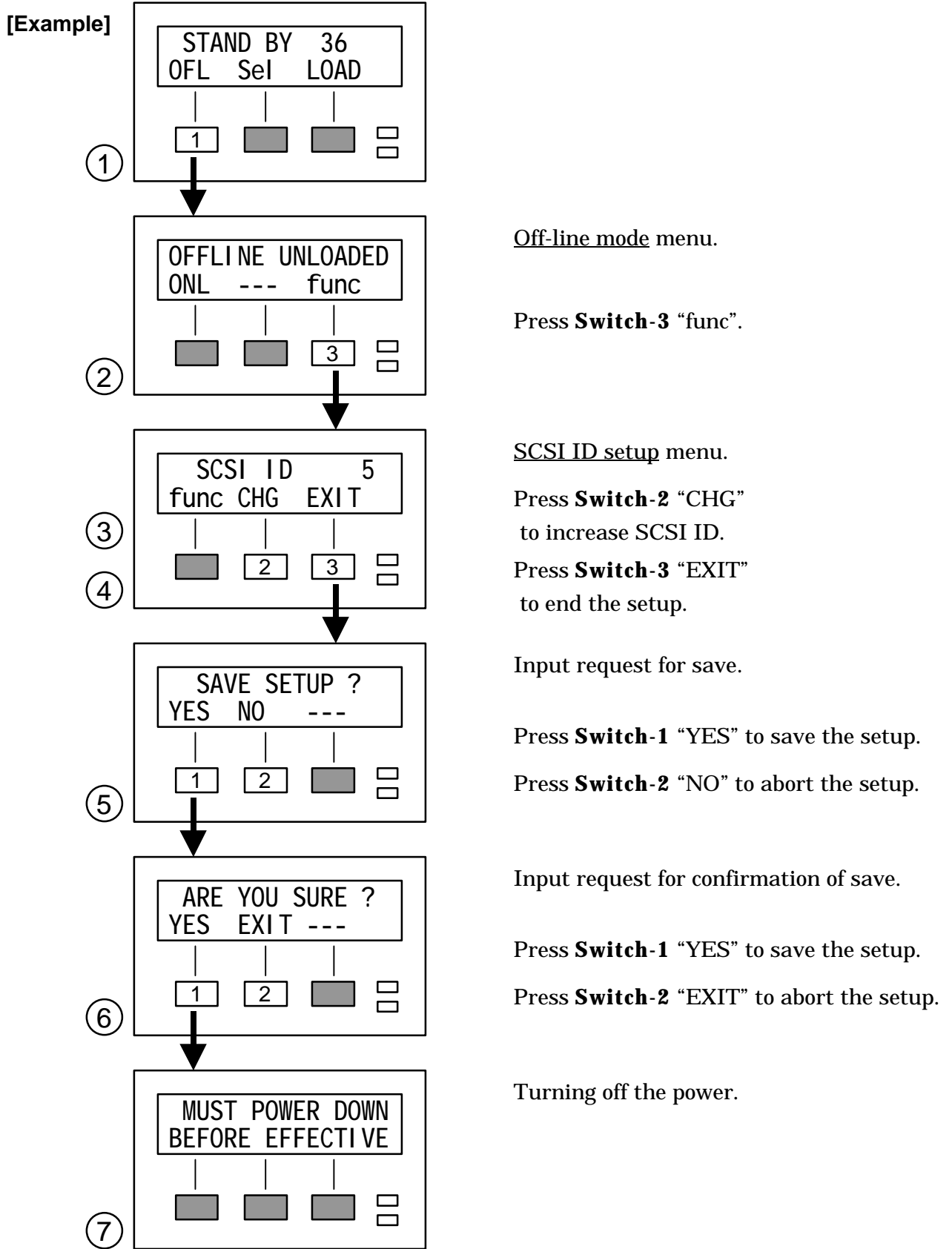


Figure 4-2 SCSI ID Setup

4.2.2 Emulation Mode Setup etc.

Enter the configuration mode when changing “SCSI” or “DRIVE” setup. These setup menus will be displayed on the Status-Line when the correct password is entered.

The following procedure to set a example of “Emulation Mode setup”. Refer to Figure 4-3.

- 1) First, if the operation mode is in the on-line mode, change to the off-line mode. Refer to Figure 2-6.
- 2) “func” will be displayed on the right Switch-Line of the display. Pressing the right Switch-3 “func” displays the current SCSI ID on the Status-Line of the display.
- 3) Pressing the left Switch-1 “func” displays “MENU FUNCTIONS” on the Status-Line.
- 4) Select the menu displayed as “CONF” on the left of the Switch-Line. Pressing the left Switch-1 “CONF” displays “ENTER PASSWORD” on the Status-Line. This is the password input prompt.
- 5) Press Switch-3,-2 and -3 in sequence. The “CONFIGURE” will appear on the Status-Line. This menu is the configuration mode.
- 6) Select the menu displayed as “DRIVE” on the center of the Switch-Line. Pressing the center Switch-2 “DRIVE” displays the current “COMPRESSION” on the Status-Line. This menu is the IDRC default setup.
- 7) Press the right Switch-3 “>>>” to select the menu that displays the current “EMULATION” on the Status-Line. This menu is the Emulation Mode setup.
- 8) To change the Emulation Mode, pressing the center Switch-2 “CHG” each time displays the other mode on the Status-Line.
- 9) To complete the setup, press the left Switch-1 “EXIT”. “SAVE SETUP?” will be displayed on the Status-Line.
- 10) Press the Switch-1 “YES” to save the current setup.
Press the Switch-2 “NO” to abort and use the previous setup.
Press the Switch-3 “TEMP” to use the current setup until turning off the power.
Pressing the Switch-2 returns the configuration mode. Pressing the Switch-1 or Switch-3 “ARE YOU SURE ?” will be displayed on the Status-Line.
- 11) Press the Switch-1 “YES” to save the current setup.
Press the Switch-2 “EXIT” to abort and use the previous setup.
Pressing either switch returns the configuration mode.
- 12) Press the right Switch-3 “>>>” to select the menu that displays “EXIT” on the Switch-Line. Press this “EXIT” switch to return to the off-line mode.

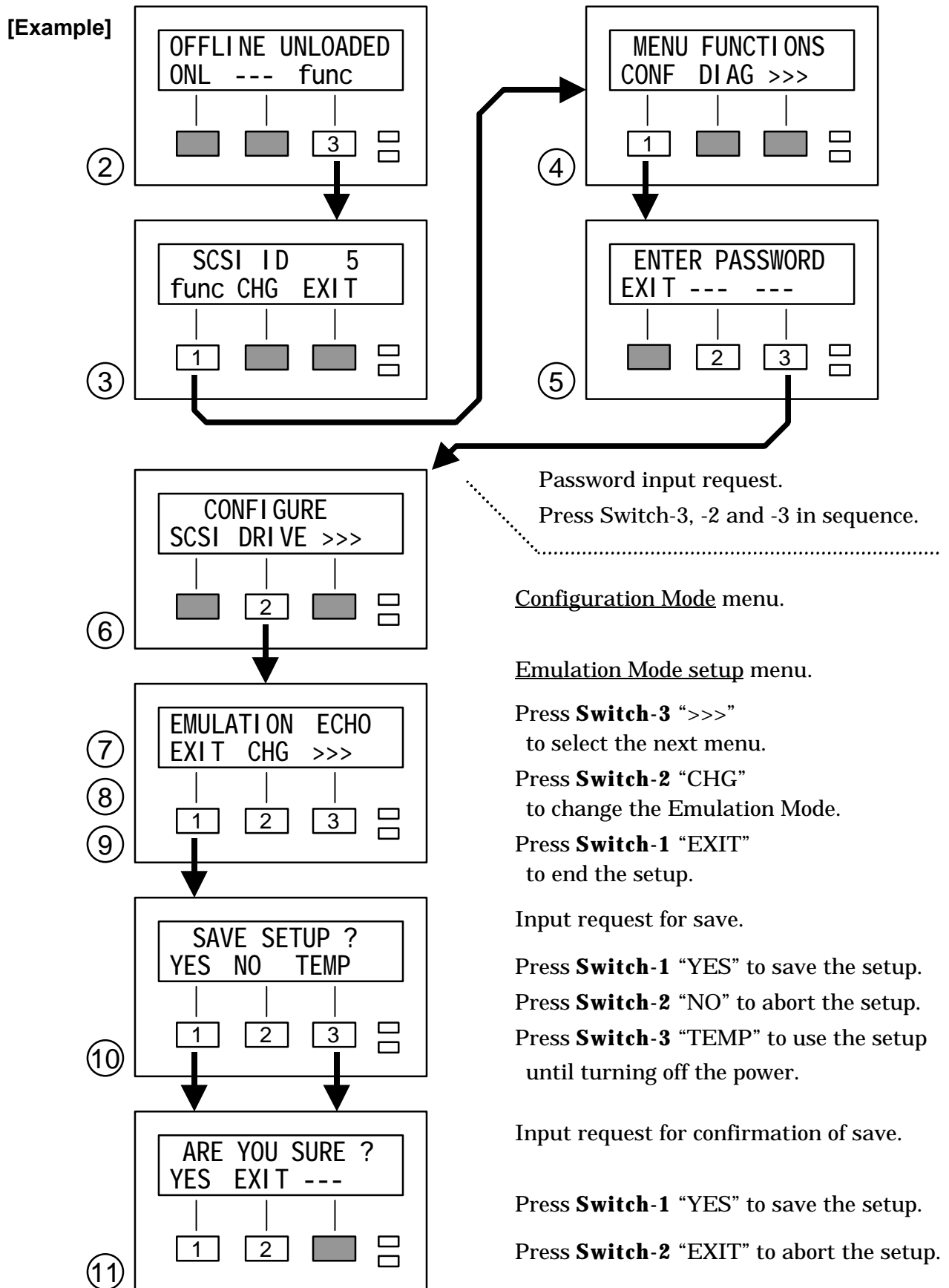


Figure 4-3 Emulation Mode Setup

4.2.3 CSL Operation Mode Setup

The following procedure to set the “CSL Operation Mode setup”. Refer to Figure 4-4.

- 1) First, if the operation mode is in the on-line mode, change to the off-line mode. Refer to Figure 2-6.
- 2) “func” will be displayed on the right Switch-Line of the display. Pressing the right Switch-3 “func” displays the current SCSI ID on the Status-Line of the display.
- 3) Pressing the left Switch-1 “func” displays “MENU FUNCTIONS” on the Status-Line.
- 4) Press the right Switch-3 “>>>” to shift to the next menus.
- 5) Select the menu displayed as “CSL” on the left of the Switch-Line. Pressing the left Switch-1 “CSL” displays “ENTER PASSWORD” on the Status-Line. This is the password input prompt.
- 6) Press Switch-3,-2 and -3 in sequence. The current “CSL MODE” will appear on the Status-Line. This menu is the CSL Operation Mode setup.
- 7) To change the CSL Operation Mode, pressing the center Switch-2 “CHG” each time displays the other mode on the Status-Line.
- 8) To complete the setup, press the left Switch-1 “EXIT”. “SAVE SETUP?” will be displayed on the Status-Line.
Press the Switch-1 “YES” to save the current setup.
Press the Switch-2 “NO” to abort and use the previous setup.
Press the Switch-3 “TEMP” to use the current setup until turning off the power.
Pressing the Switch-2 returns the configuration mode. Pressing the Switch-1 or Switch-3 “ARE YOU SURE ?” will be displayed on the Status-Line.
- 10) Press the Switch-1 “YES” to save the current setup.
Press the Switch-2 “EXIT” to abort and use the previous setup.
Pressing either switch returns the configuration mode.
- 11) Select the menu displayed as “DRIVE” on the Switch-Line. Press this “EXIT” switch to return to the off-line mode.

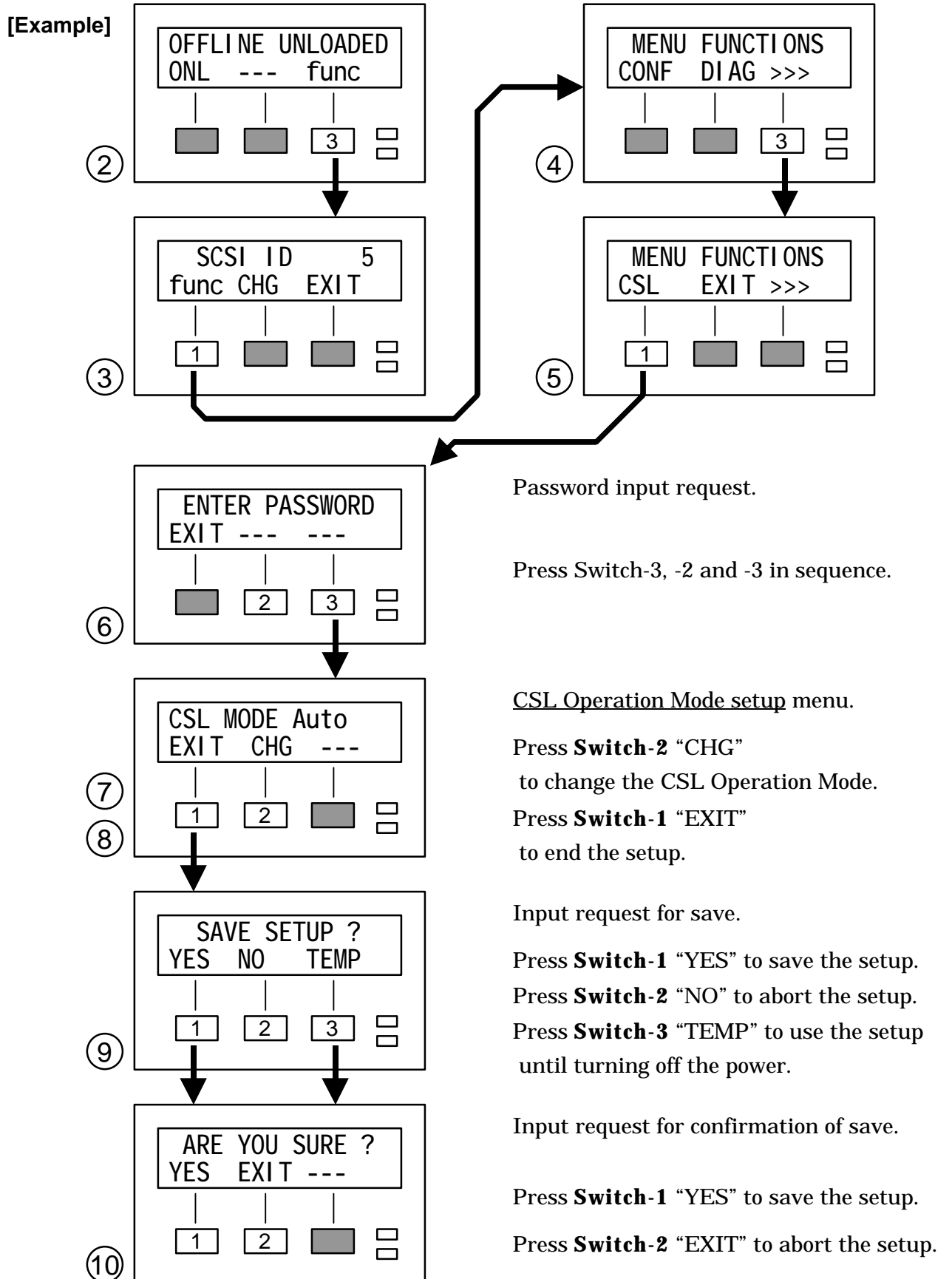


Figure 4-4 CSL Operation Mode Setup

4.3 Diagnostics

Enter the diagnostics mode when execute the self-diagnostics for read/write. A password is requested only when selecting “SERVO” in the diagnostics mode. The setup menu will be displayed on the Status-Line when the correct password is entered.

The following procedure to set a example of “Write-Test”. Refer to Figure 4-5.

- 1) First, load a write-enabled cartridge. If the operation mode is in the on-line mode, change to the off-line mode. Refer to Figure 2-6.
- 2) “func” will be displayed on the right Switch-Line of the display. Pressing the right Switch-3 “func” displays the current SCSI ID on the Status-Line of the display.
- 3) Pressing the left Switch-1 “func” displays “MENU FUNCTIONS” on the Status-Line.
- 4) Select the menu displayed as “DIAG” on the center of the Switch-Line. Pressing the center Switch-2 “DIAG” displays “DIAGNOSTICS” on the Status-Line and enters the diagnostics mode.
- 5) Select the menu displayed as “RWT” on the center of the Switch-Line. Pressing the center Switch-2 “RWT” displays “READ/WRITE TESTS” on the Status-Line.
- 6) Press the right Switch-3 “>>>” to shift to the next menus.
- 7) Select the menu displayed as “WRT” on the left of the Switch-Line. Pressing the left Switch-1 “WRT” displays “WRITE TEST” on the Status-Line. This menu is the Write-Test.
- 8) Press the Switch-1 “SHORT” to execute the Short Write-Test.
Press the Switch-2 “LONG” to execute the Write-Test to EOT.
Pressing either switch displays “NUM REC =” on the center of the Status-Line and initiates writing of test data to the tape.
- 9) “DIAG PASSED” is displayed on the center of the Status-Line when successfully completing the Write-Test. Refer to Chapter 5 if an error is returned.
- 10) Press the right Switch-3 “>>>” to select the menu that displays “EXIT” on the Switch-Line. Press this “EXIT” switch to close to each of the menus.

CAUTION

Test data is written to the tape during Write-Test. Thus, data of the cartridge used for Write-Test is destroyed.

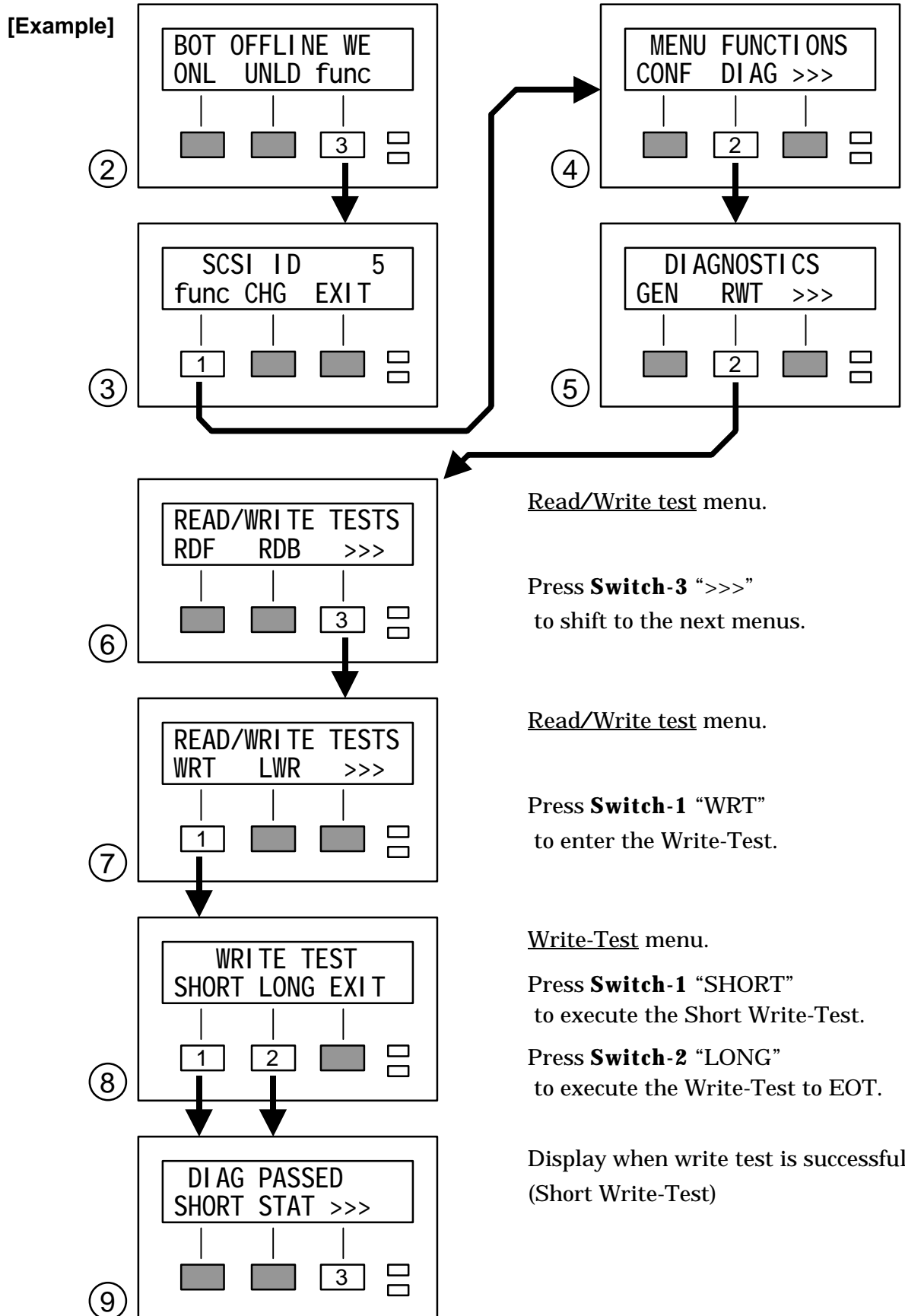
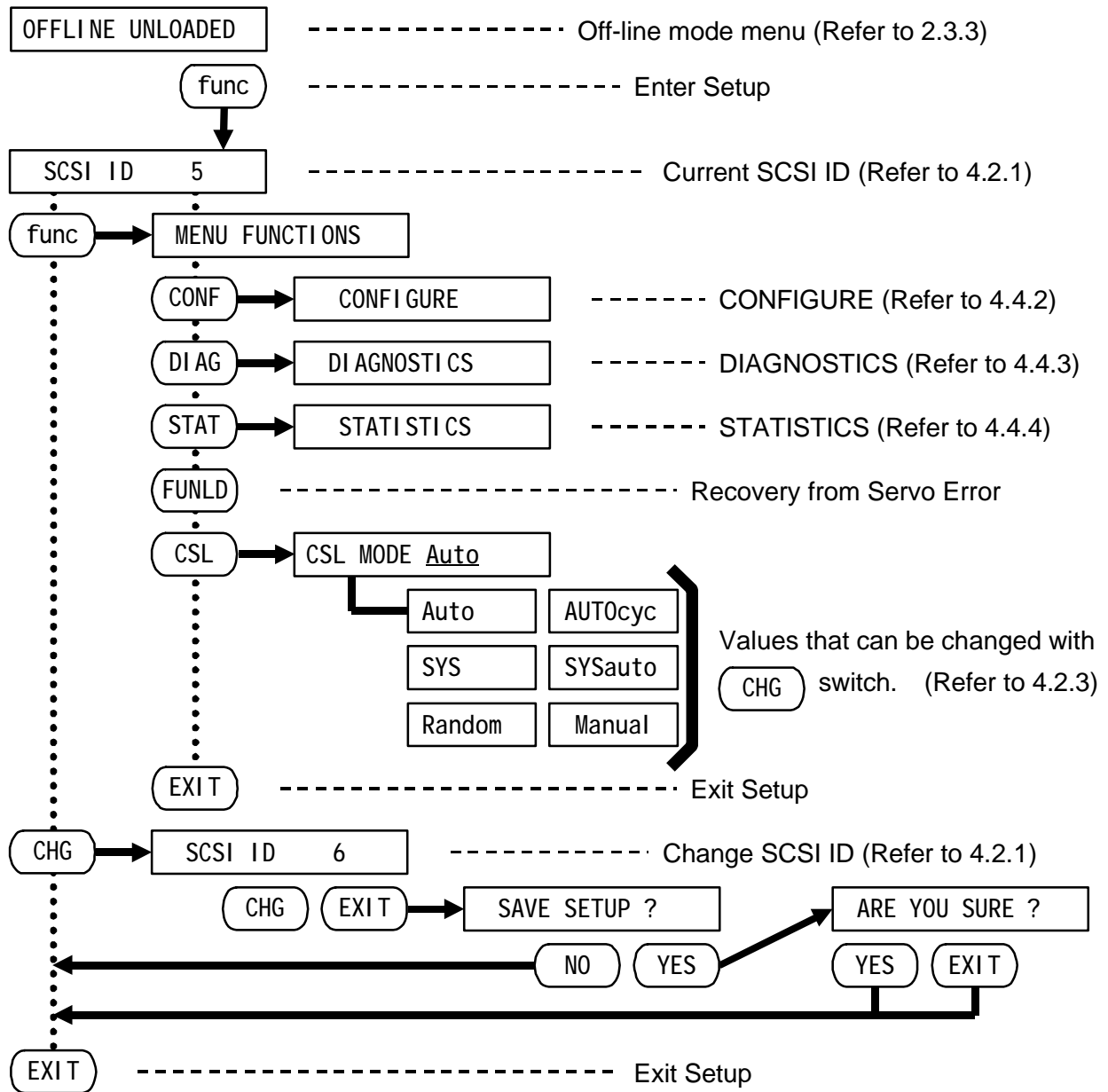


Figure 4-5 Write-Test Procedure

4.4 Hierarchic Structure of Setup

Listing of setup is given below. Items for CE (Customer Engineer) are to be performed only by persons with maintenance training.

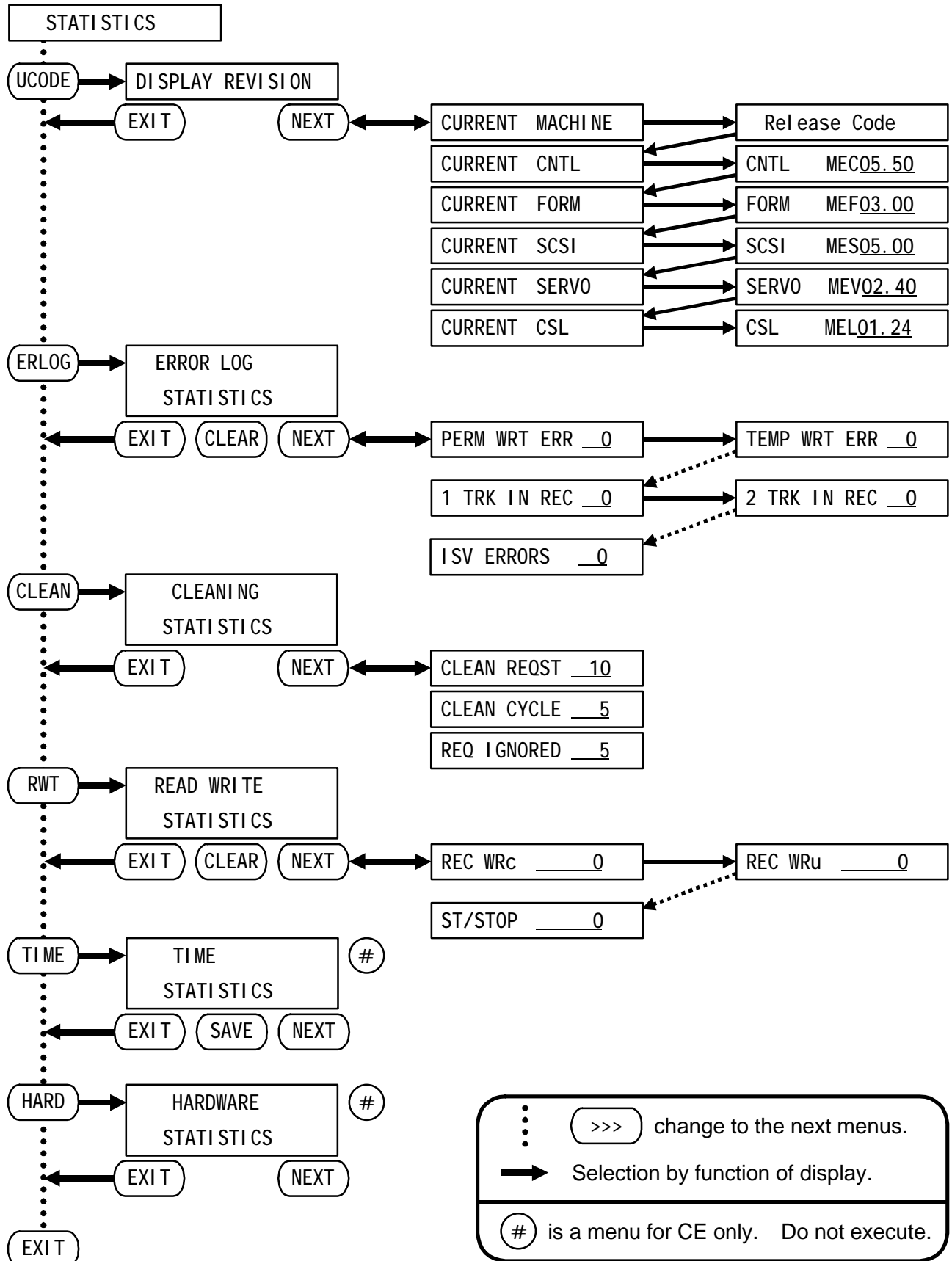
4.4.1 General Structure



⋮ (>>) change to the next menus.

➔ Selection by function of display.

4.4.4 Structure of STATISTICS



[Notes]

Chapter 5 TROUBLE SHOOTING

When a malfunction occurs in this drive, operate the drive based on the directions indicated in this chapter. When a problem cannot be solved or if there is some point that is unclear, please contact the service department.

5.1 Error Display

Electrical and mechanical errors can be detected by an internally equipped microprocessor. The error description can also be detected for the magnetic tape media.

When an error is detected, the ALERT indicator on the front operator panel lights and an error message or an error code are displayed on the Status-Line of the display. The error code is displayed as 4 decimal digits from the right side of the Status-Line.

CAUTION

The drive may not operate correctly if the setup for this drive is not executed correctly. The error code is not displayed at this time. Execute the setup operation so the drive corresponds to the host computer system that is connected. (Refer to section 4.2.)

An error code is also not displayed when there is a problem with the SCSI cables or SCSI terminators connected to the drive. Check the SCSI bus system. (Refer to section 4.1.)

5.2 Countermeasures

When an error occurs, first make a note of the error code. Next, refer to the error code and execute the appropriate countermeasure operations.

5.2.1 Error Codes

The error descriptions are shown in Table 5-1 and the error processing procedures are shown in Table 5-2.

The procedure used to eliminate errors is shown below.

- 1) The error is eliminated if the rewind or unload operations are executed.

If the error cannot be eliminated, execute the following procedures.

- 2) Unload the cartridge. When the unload operation cannot be executed, turn off the power one time.
- 3) When turning the power on again, wait more than 10 seconds.

CAUTION

Consult the system manager when turning off the power to the drive. There is a possibility of damaging the applications of the host computer system that is connected.

Table 5-1 4 digit Error Codes

| Error Code | Error Description | Processing |
|----------------------------|--|------------------------|
| 1018 | Cannot write to write protected cartridge. | Unload the cartridge. |
| 1026 | Cannot write to an extended cartridge. | Operations B, E, C, G. |
| 1xxx | A command from the host computer system could not be executed. | Operations B, F, D, G. |
| 2xxx 4xxx | The control circuit board detected an error. | Operations C, D, F, G. |
| 3003 3004 | A cartridge was read that contained no data. | Rewind the cartridge. |
| 3107 | The number of tracks is different than the specifications. | Rewind the cartridge. |
| | An unrecognized cartridge was read. | Operations A, B, C, G. |
| 3xxx | Position of the tape was read which did not contain recorded data. | Rewind the cartridge. |
| | A write operation to the tape or a read operation from the tape could not be executed. | Operations A, B, C, G. |
| 5xxx | A failure occurred in a load operation. | Operations E, B, C, G. |
| | A failure occurred in an unload operation. | |
| | The servo or CSL circuit board detected an error. | |
| Others | Something may be damaged. | Operations E, C, D, G. |

Marks : "xxx" as the numeric value of an optional 3 digits.

5.2.2 Error Processing

The countermeasures (operations A to G) for each type of error are shown in table 5-2. When the countermeasures are specified a multiple number of times, execute these operations in the specified sequence. If the error is eliminated, it is not necessary to execute the remaining countermeasures.

Table 5-2 Error Processing

| Error Processing | Countermeasure |
|------------------|---|
| A | Use a cleaning cartridge and clean the tape head and tape path. (Refer to section 3.1.) |
| B | Replace the other cartridges. The following conditions may apply to these cartridges. 1) The number of tracks differs from the drive specifications. (Read operations.) 2) The tape length differs from the drive specifications. 3) An unrecognized cartridge is loaded. (Read operations.) 4) The tape may be used out of the range of required operation temperature. 5) Logical damage has occurred to the tape such as write operation residue. 6) Physical damage such as a crack is present on the tape. |
| C | Turn the power off one time. Wait at least 10 seconds before turning the power back on again. |
| D | Turn the power off and check the SCSI bus connections. Wait at least 10 seconds before turning the power back on again. (Refer to section 4.1.) |
| E | Make sure that there are no abnormalities in the cartridge. The following conditions may apply to these cartridges. 1) The cartridge insertion direction may be reversed. 2) The leader block is open. 3) There is a problem in the cartridge label. 4) Refer to section 2.1 for a description of other problems. |
| F | Check the setting values for the setup. (Refer to section 4.2.) |
| G | It is possible that the drive is damaged. (Refer to section 5.2.3.) |

5.2.3 Service Calls

When error processing “G” in Table 5-2 is used, note the error code displayed on the operator panel display of the front panel and call the service department. Use the form on the this page to enter the error codes and types.



| | |
|---------------|--|
| Model Name | |
| Serial Number | |

| Date | Error Code | Type of Operations | Error Description | Error Processing |
|------|------------|--------------------|-------------------|------------------|
| | | | | |
| | | | | |
| | | | | |
| | | | | |
| | | | | |
| | | | | |
| | | | | |
| | | | | |
| | | | | |
| | | | | |

Operation

- 1 --- Power on initializing
- 2 --- Loading
- 3 --- Unloading
- 4 --- Diagnostics
- 5 --- Writing
- 6 --- Reading
- 7 --- Others

